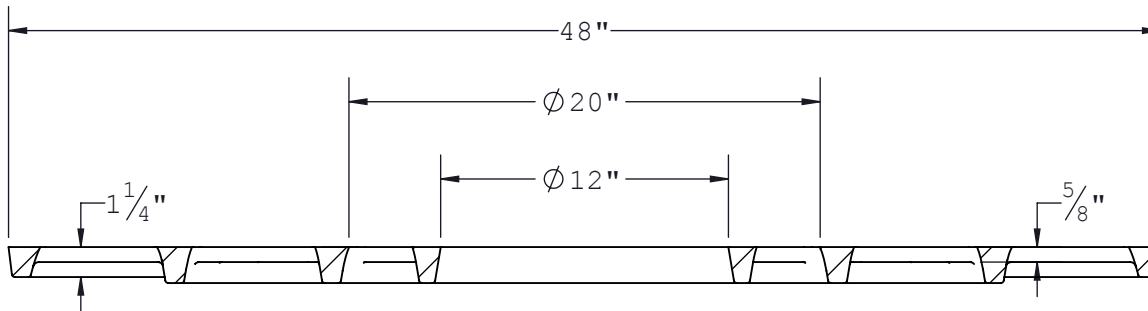
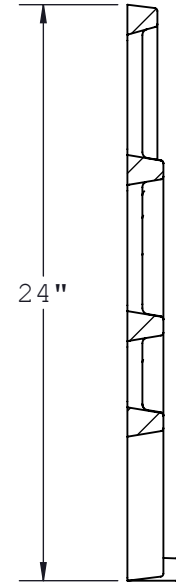
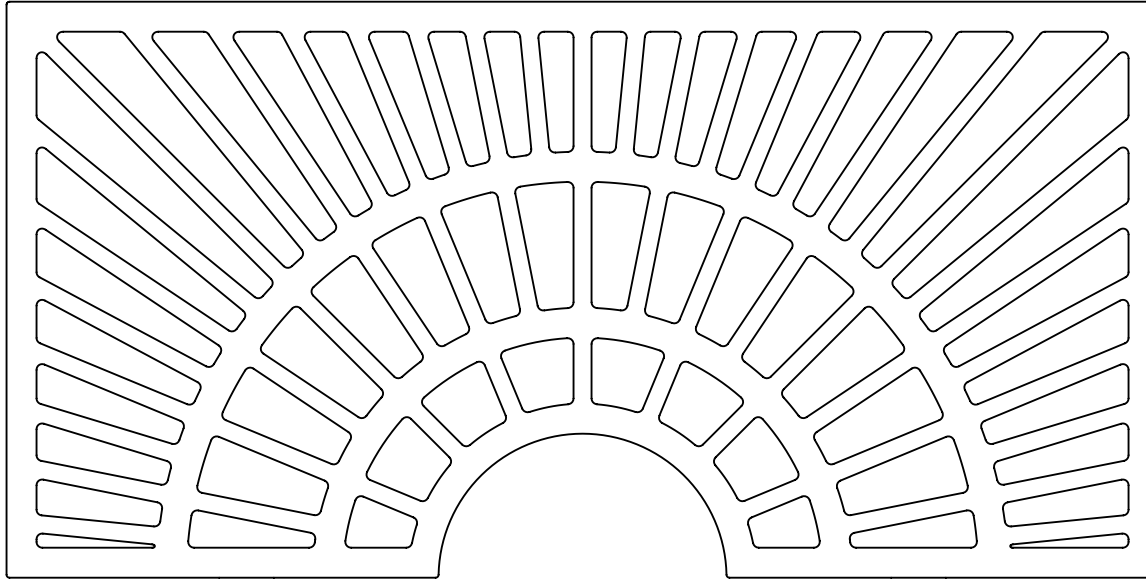


THE INFORMATION CONTAINED IN THIS DRAWING IS THE SOLE PROPERTY OF U.S. FOUNDRY & MANUFACTURING CORP. ANY REPRODUCTION IN PART OR AS A WHOLE WITHOUT THE WRITTEN PERMISSION OF U.S. FOUNDRY & MANUFACTURING CORP. IS PROHIBITED. U.S. FOUNDRY & MANUFACTURING CORP. RESERVES THE RIGHT TO MAKE MODIFICATIONS TO DESIGN WITHOUT PRIOR NOTICE. DRAWING IS UNCONTROLLED WHEN PRINTED. WEIGHTS AND DIMENSIONS ARE PROVIDED FOR REFERENCE ONLY © US FOUNDRY AN EAGLE MANUFACTURING COMPANY




US FOUNDRY
 AN EAGLE MANUFACTURING COMPANY © 2017 All Rights Reserved

8351 NW 93rd Street
 Medley, FL, 33166-2025
 ph: 1-800-432-9709
 fax: 305-887-9429
 www.usfoundry.com

USF 9520-S Tree Grate

LOAD CLASSIFICATION:		Light Duty
MATERIAL:		Gray Cast Iron ASTM A-48 Class 35B
ITEM:	BAAN #	DRAWING
TreeGrate		DATE
		DRAWN BY
REV	0	DATE
		REV BY
		QUOTE #

Customer Drawing