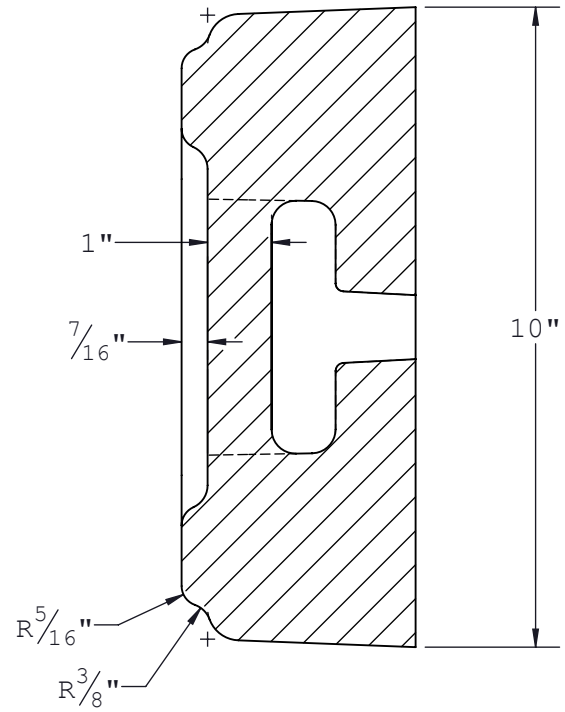
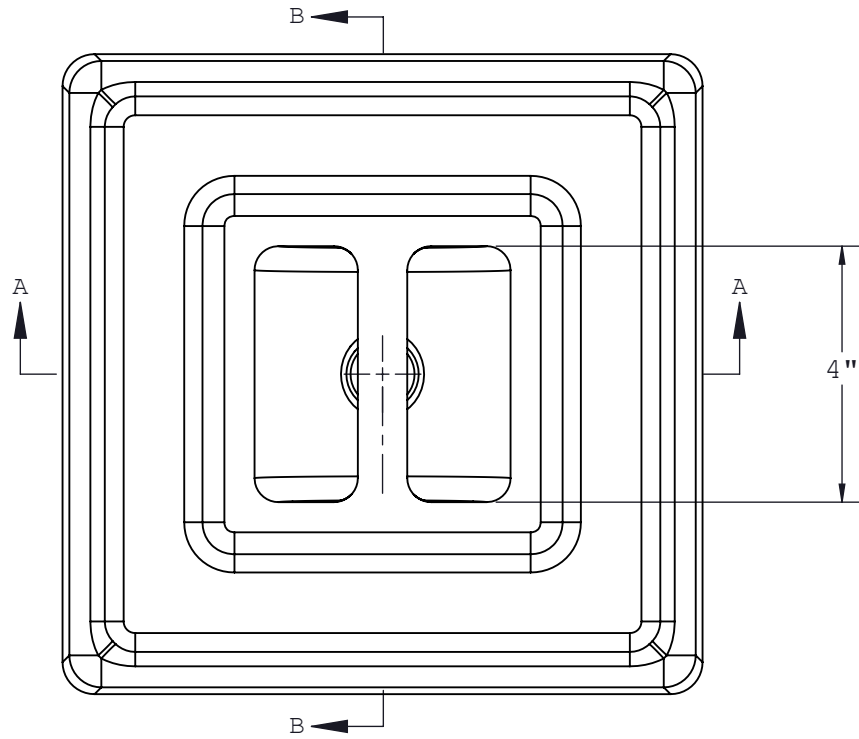
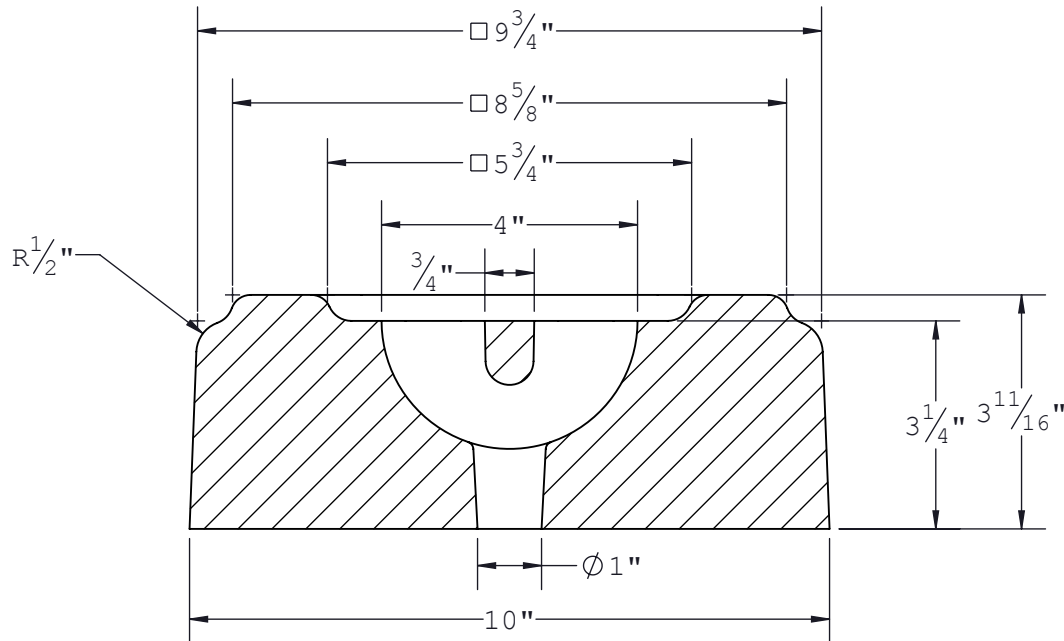


THE INFORMATION CONTAINED IN THIS DRAWING IS THE SOLE PROPERTY OF U.S. FOUNDRY & MANUFACTURING CORP. ANY REPRODUCTION IN PART OR AS A WHOLE WITHOUT THE WRITTEN PERMISSION OF U.S. FOUNDRY & MANUFACTURING CORP. IS PROHIBITED. U.S. FOUNDRY & MANUFACTURING CORP. RESERVES THE RIGHT TO MAKE MODIFICATIONS TO DESIGN WITHOUT PRIOR NOTICE. DRAWING IS UNCONTROLLED WHEN PRINTED. WEIGHTS AND DIMENSIONS ARE PROVIDED FOR REFERENCE ONLY © 2014 US FOUNDRY AN EAGLE MANUFACTURING COMPANY



SECTION B-B



SECTION A-A

8351 NW 93rd Street
 Medley, FL, 33166-2025
 ph: 1-800-432-9709
 fax: 305-887-9429
 www.usfoundry.com
 AN EAGLE MANUFACTURING COMPANY © 2014 All Rights Reserved

USF Counter Weight Type 2

MATERIAL: Gray Cast Iron		ASTM-A48 CLASS 35B	
ITEM:	BAAN #	WEIGHT(lbs)	DRAWING
Counter Weight	8120171	80.5	DATE 1/17/2014
			DRAWN BY JM/AB
UNLESS OTHERWISE NOTED WEIGHT IS IN POUNDS & APPROXIMATE (±5%). DO NOT SCALE			
REV 0	DATE	REV BY	QUOTE #