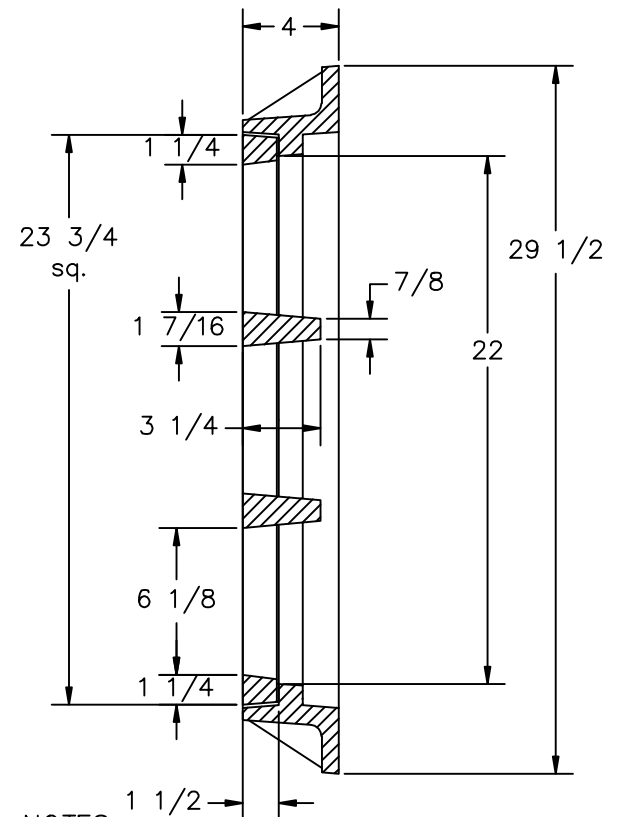


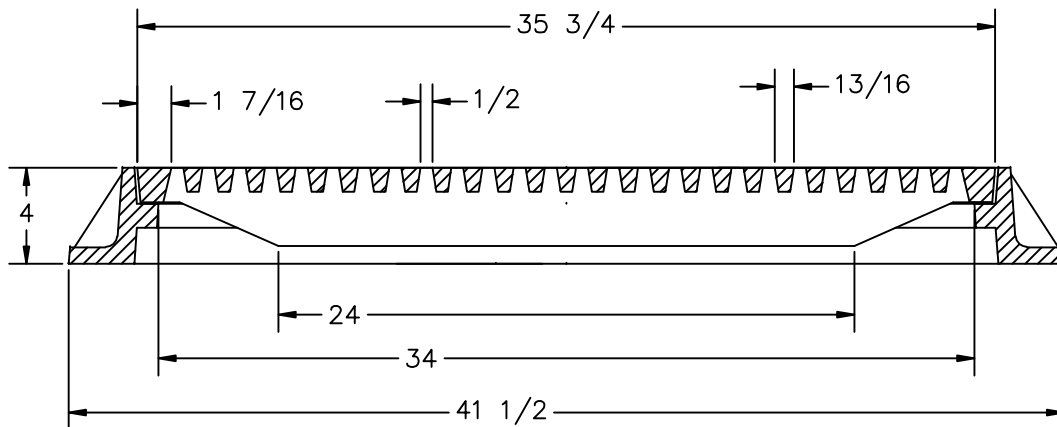
3/8 TEXT
RAISED 3/32 TYP.


LEVELING PADS (8)



NOTES:

- 1- GRATE DESIGNED FOR ADA REQUIREMENTS..
- 2- OPEN AREA: 233. sq. in.
- 3- FRAME IS REVERSIBLE.
- 4- CLASSIFICATION: HEAVY DUTY



 U.S. FOUNDRY & MFG. CORP. MEDLEY, FLORIDA				
DESCRIPTION:				
USF 4139 FRAME & 6002 GRATE				
MATERIAL: ASTM-A48		GRAY IRON CLASS: 35B		
FRAME WEIGHT: 165		GRATE WEIGHT: 190		
UNLESS OTHERWISE NOTED WEIGHT IS IN POUNDS AND APPROXIMATED				
DWN. BY:	SCALE:	ITEM No:	DWG. No:	DWG DATE:
HJF	1/8" = 1"	8040163		04-20-05
REV:	DATE:	DESCRIPTION:	REV BY:	CHK. BY:
2	08-23-05	WAS 8070411 DWG #. IS NOW 8040163	HJF	