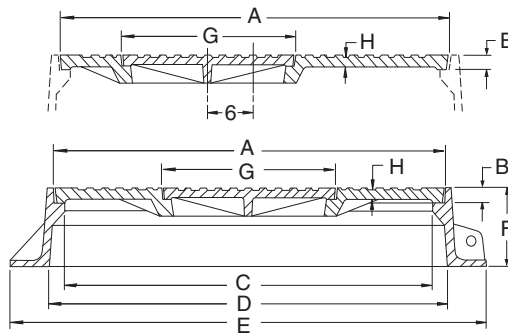


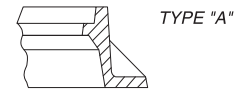
USF LARGE MANHOLE RINGS AND DOUBLE COVERS



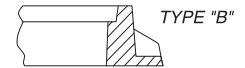
USF 690-AG-M SHOWN



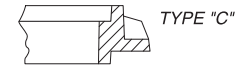
Specify lettering, if required.



TYPE "A"



TYPE "B"



TYPE "C"

LISTED IN ORDER OF SMALLEST CLEAR OPENING (COLUMN "C"), HEIGHT (COLUMN "F") AND TOTAL WEIGHT.

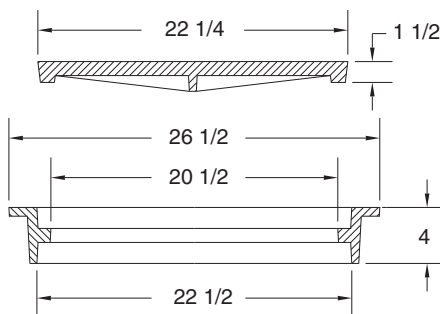
CATALOG NUMBER	A	B	C	D	E	F	G	H	LOAD RATING	RING TYPE
663-AB-M	32 1/8	1 1/2	30 1/4	36 1/4	46	7	22 1/4	1 1/2	HEAVY DUTY	A
663-AB-MB	32 1/8	1 1/2	30 1/4	36 1/4	46	7	22 1/4	1 1/2	HEAVY DUTY	A
230-AB-M	32 1/8	1 1/2	30 1/4	34	41 1/2	7	22 1/4	1 1/2	HEAVY DUTY	A
655-CW-M	34 1/8	1 1/2	32	32	40 1/2	4	22 1/4	1 1/2	HEAVY DUTY	B
665-CW-M	34 1/8	1 1/2	32 1/2	32 1/2	38 sq.	4	22 1/4	1 1/2	HEAVY DUTY	B
667 CR Series	35 3/4	1 1/4	34 1/2	36	42	6	23 3/4	1 1/4	HEAVY DUTY	A
671-AF-M	37	1 3/8	35	35	44	4	22 1/4	1 1/2	HEAVY DUTY	C
672-AF-M	37	1 3/8	35	35	45sq	5	22 1/4	1 1/2	HEAVY DUTY	B
679-BK-M	38	1 1/2	36	40	49	10	22 1/4	1 1/2	HEAVY DUTY	A
695-CP-TA	43 3/4	1 3/4	42	46	56	10	31 3/4	1 1/2	HEAVY DUTY	A
691-AG-M	50 7/8	2	48	51	56 1/4	5 1/8	22 1/4	1 1/2	HEAVY DUTY	A
*691-AH-M	50 7/8	2	48	51	56 1/4	5 1/8	22 1/4	1 1/2	HEAVY DUTY	A
690-AG-M	50 7/8	2	48	52	62	10	22 1/4	1 1/2	HEAVY DUTY	A
*690-AH-M	50 7/8	2	48	52	62	10	22 1/4	1 1/2	HEAVY DUTY	A

*ACCESS LID IS LOCATED 6" OFF CENTER. SEE DRAWING ABOVE.

USF 1110 SLAB TYPE RING AND COVER SERIES



USF 1110-P SHOWN



COVER TYPE	LOAD RATING
M	HEAVY DUTY
N	HEAVY DUTY
P	HEAVY DUTY
EF	HEAVY DUTY
EN	LIGHT DUTY
MG	HEAVY DUTY
MK	HEAVY DUTY
NG	HEAVY DUTY



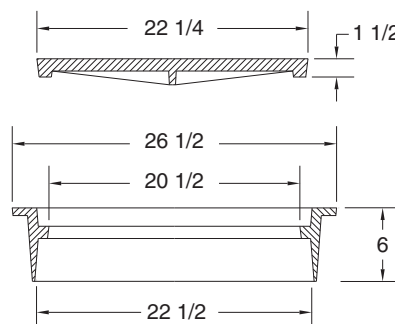
Available with grate USF 3600

1. Specify lettering, if required.
2. Reversible ring, Built Up Type USF 105.
3. Available with bolts, camlocks, ORS, BWT.

USF 1111 SLAB TYPE RING AND COVER SERIES



USF 1111-P SHOWN



COVER TYPE	LOAD RATING
M	HEAVY DUTY
N	HEAVY DUTY
P	HEAVY DUTY



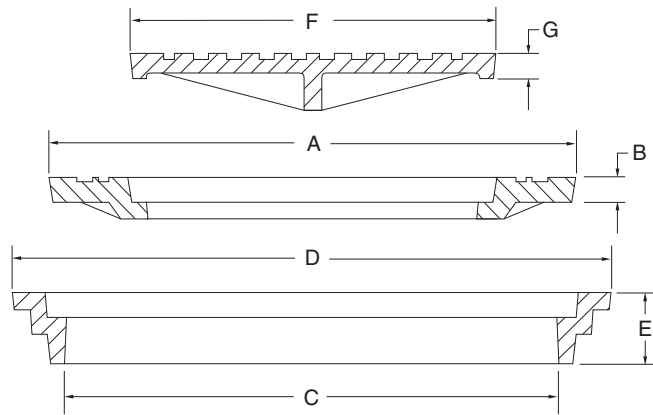
Available with grate USF 3663

1. Specify lettering, if required.
2. Available with bolts, camlocks, ORS, BWT.

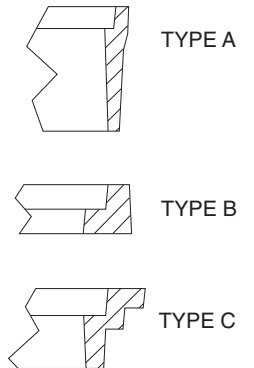
USF SLAB TYPE LARGE MANHOLE RINGS AND DOUBLE COVERS



USF 1300-AB-M SHOWN



Specify lettering, if required.



LISTED IN ORDER OF SMALLEST CLEAR OPENING (COLUMN "C") AND HEIGHT (COLUMN "E").

CATALOG NUMBER	A	B	C	D	E	F	G	LOAD RATING	RING TYPE
1300-AB-M	32 $\frac{5}{8}$	1 $\frac{1}{2}$	30	36 $\frac{1}{2}$	4 $\frac{1}{2}$	22 $\frac{1}{4}$	1 $\frac{1}{2}$	HEAVY DUTY	C
1305-AB-M	32 $\frac{5}{8}$	1 $\frac{1}{2}$	30	39 $\frac{1}{2}$	8	22 $\frac{1}{4}$	1 $\frac{1}{2}$	HEAVY DUTY	C
1307-CR SERIES	35 $\frac{3}{4}$	1 $\frac{1}{4}$	34 $\frac{3}{4}$	37 $\frac{1}{2}$	7	23 $\frac{3}{4}$	1 $\frac{1}{4}$	HEAVY DUTY	A
1309-CR SERIES	35 $\frac{3}{4}$	1 $\frac{1}{4}$	34 $\frac{3}{4}$	37 $\frac{1}{2}$	10	23 $\frac{3}{4}$	1 $\frac{1}{4}$	HEAVY DUTY	A
1310-AF-M	37	1 $\frac{3}{8}$	35	45	6	22 $\frac{1}{4}$	1 $\frac{1}{2}$	HEAVY DUTY	C
1340-AF-M	37	1 $\frac{3}{8}$	35 $\frac{1}{4}$	39 $\frac{3}{4}$	2 $\frac{3}{4}$	22 $\frac{1}{4}$	1 $\frac{1}{2}$	HEAVY DUTY	B
1315-BK-M	38	1 $\frac{1}{2}$	36	44	8	22 $\frac{1}{4}$	1 $\frac{1}{2}$	HEAVY DUTY	C
1341-AG-M	50 $\frac{5}{8}$	2	48	56 $\frac{1}{4}$	5 $\frac{5}{8}$	22 $\frac{1}{4}$	1 $\frac{1}{2}$	HEAVY DUTY	C
*1341-AH-M	50 $\frac{5}{8}$	2	48	56 $\frac{1}{4}$	5 $\frac{5}{8}$	22 $\frac{1}{4}$	1 $\frac{1}{2}$	HEAVY DUTY	C

*ACCESS LID IS LOCATED 6" OFF CENTER