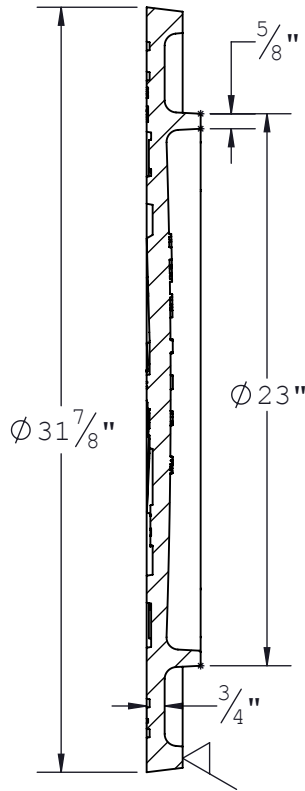
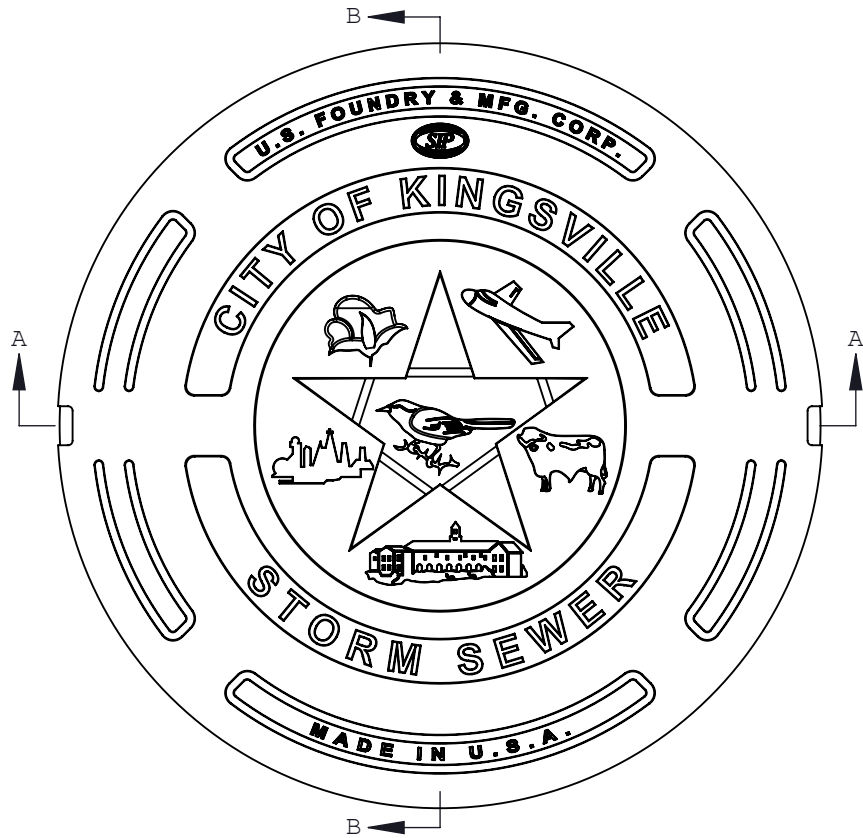
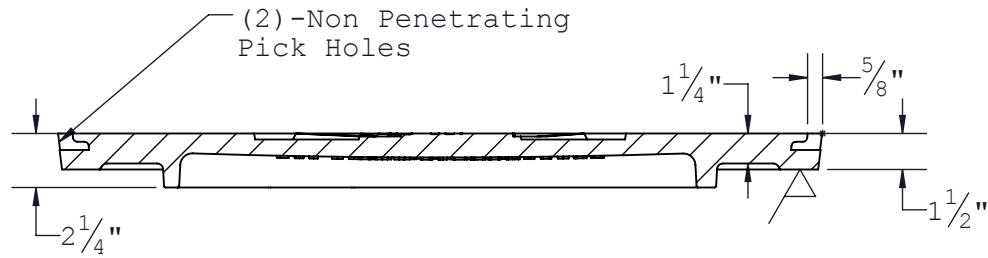
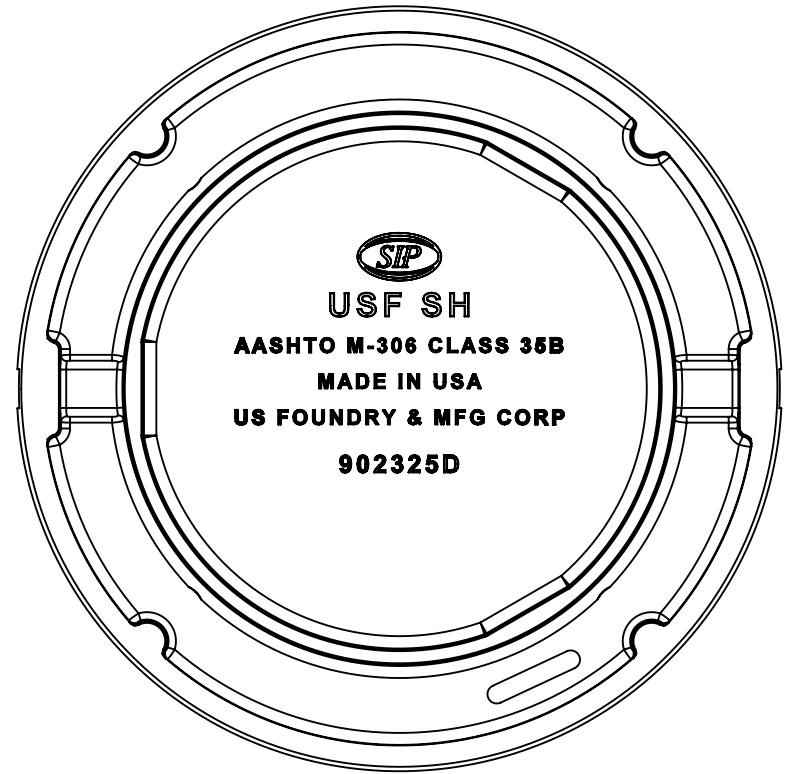


THE INFORMATION CONTAINED IN THIS DRAWING IS THE SOLE PROPERTY OF U.S. FOUNDRY & MANUFACTURING CORP. ANY REPRODUCTION IN PART OR AS A WHOLE WITHOUT THE WRITTEN PERMISSION OF U.S. FOUNDRY & MANUFACTURING CORP. IS PROHIBITED. U.S. FOUNDRY & MANUFACTURING CORP. RESERVES THE RIGHT TO MAKE MODIFICATIONS TO DESIGN WITHOUT PRIOR NOTICE. DRAWING IS UNCONTROLLED WHEN PRINTED. WEIGHTS AND DIMENSIONS ARE PROVIDED FOR REFERENCE ONLY © 2014 US FOUNDRY & MFG CORP AN EAGLE MANUFACTURING COMPANY



SECTION B-B



SECTION A-A

8351 NW 93rd Street
 Medley, FL, 33166-2025
 ph: 1-800-432-9709
 fax: 305-887-9429
 www.usfoundry.com

US FOUNDRY
 AN EAGLE MANUFACTURING COMPANY © 2014 All Rights Reserved

USF SH Cover
SIP# 902325D

| | | | |
|----------------------|--------|---------------------------------------|--------------|
| LOAD CLASSIFICATION: | | Heavy Duty | |
| MATERIAL: | | Gray Cast Iron AASHTO M-306 Class 35B | |
| ITEM: | BAAN # | DRAWING | USF SH |
| Cover | | DATE | 8/22/2012 |
| | | DRAWN BY | ULS |
| REV | 0 | DATE | QUOTE # 3600 |

Customer Drawing