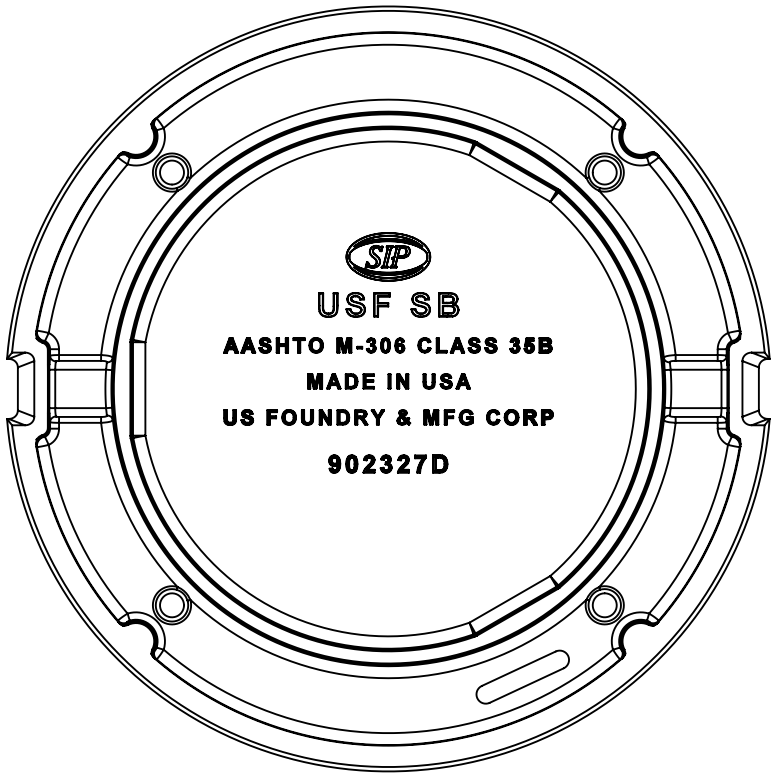
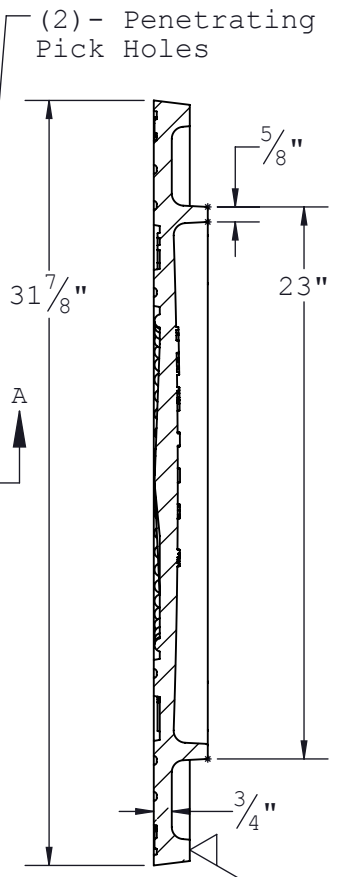
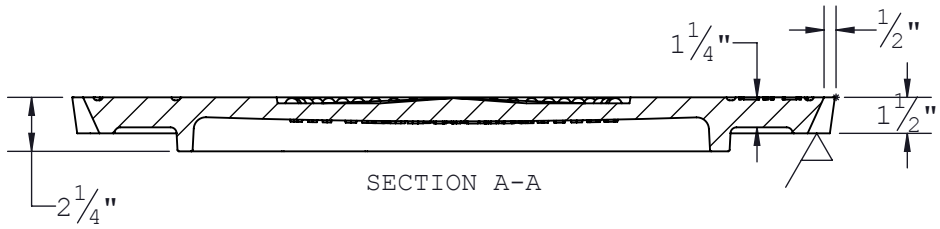


THE INFORMATION CONTAINED IN THIS DRAWING IS THE SOLE PROPERTY OF U.S. FOUNDRY & MANUFACTURING CORP. ANY REPRODUCTION IN PART OR AS A WHOLE WITHOUT THE WRITTEN PERMISSION OF U.S. FOUNDRY & MANUFACTURING CORP. IS PROHIBITED. U.S. FOUNDRY & MANUFACTURING CORP. RESERVES THE RIGHT TO MAKE MODIFICATIONS TO DESIGN WITHOUT PRIOR NOTICE. DRAWING IS UNCONTROLLED WHEN PRINTED. WEIGHTS AND DIMENSIONS ARE PROVIDED FOR REFERENCE ONLY © 2012 U.S. Foundry & Mfg. Corp. All Rights Reserved



(4) - $\varnothing 1"$ Vent Holes

SECTION B-B



SECTION A-A

 **U.S. FOUNDRY & MFG. CORP.**
 8351 NW 93rd Street, Medley, FL, 33166-2025
 ph: 1-800-432-9709; fax: 305-887-9429
 www.usfoundry.com
 © 2012 U.S. Foundry & Mfg. Corp. All Rights Reserved

USF SB Cover		
SIP# 902327D		
LOAD CLASSIFICATION:	Heavy Duty	
MATERIAL:	Gray Cast Iron AASHTO M-306 Class 35B	
ITEM:	BAAN #	DRAWING
Cover		DATE 7/3/2012
		DRAWN BY ULS
REV 0	DATE	REV BY
		QUOTE #

Customer Drawing