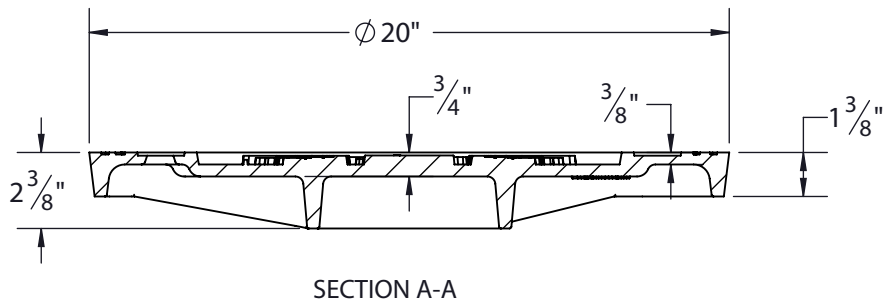
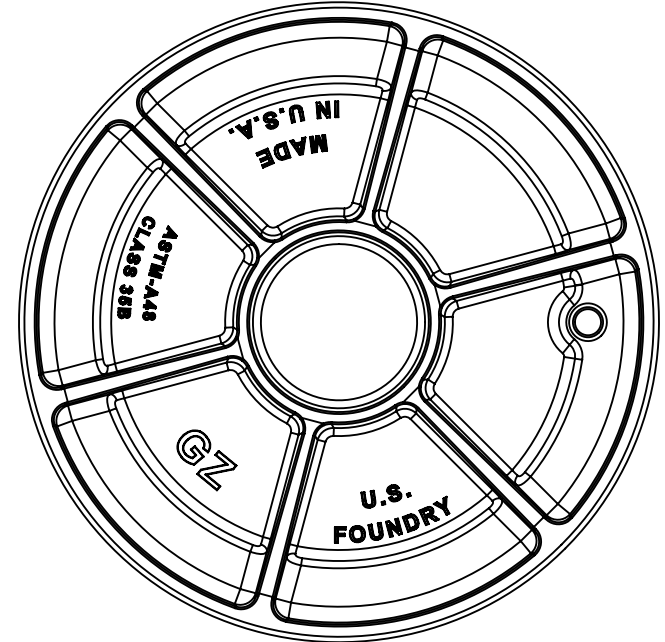


THE INFORMATION CONTAINED IN THIS DRAWING IS THE SOLE PROPERTY OF U.S. FOUNDRY & MANUFACTURING CORP. ANY REPRODUCTION IN PART OR AS A WHOLE WITHOUT THE WRITTEN PERMISSION OF U.S. FOUNDRY & MANUFACTURING CORP. IS PROHIBITED. U.S. FOUNDRY & MANUFACTURING CORP. RESERVES THE RIGHT TO MAKE MODIFICATIONS TO DESIGN WITHOUT PRIOR NOTICE. DRAWING IS UNCONTROLLED WHEN PRINTED. WEIGHTS AND DIMENSIONS ARE PROVIDED FOR REFERENCE ONLY © 2012 U.S. Foundry & Mfg. Corp. All Rights Reserved



**U.S. FOUNDRY & MFG. CORP.**  
 8351 NW 93rd Street, Medley, FL, 33166-2025  
 ph: 1-800-432-9709; fax: 305-887-9429  
 www.usfoundry.com

© 2013 U.S. Foundry & Mfg. Corp. All Rights Reserved

### USF GZ Cover

LOAD CLASSIFICATION:		Light Duty	
MATERIAL:		Gray Cast Iron ASTM-A48 Class 35B	
ITEM:	BAAN #	DRAWING	
Cover		USF GZ	
		DATE	
		9/25/2013	
		DRAWN BY	
		ULS	
REV	DATE	REV BY	QUOTE #
0			3515

Customer Drawing