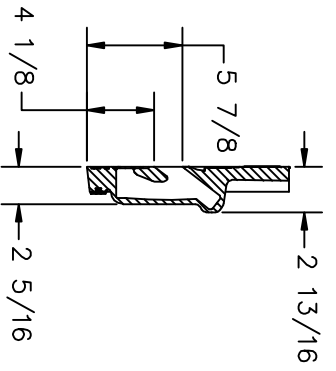
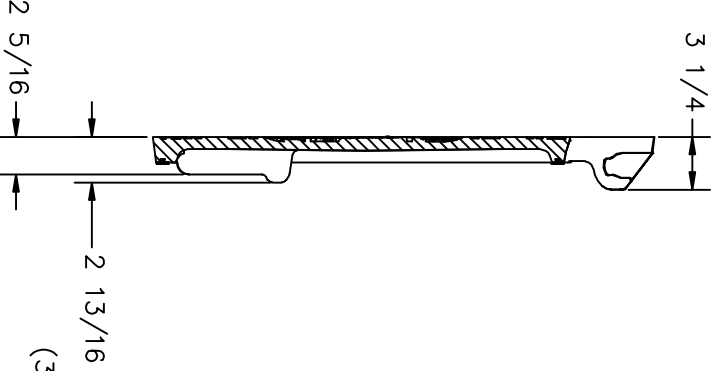
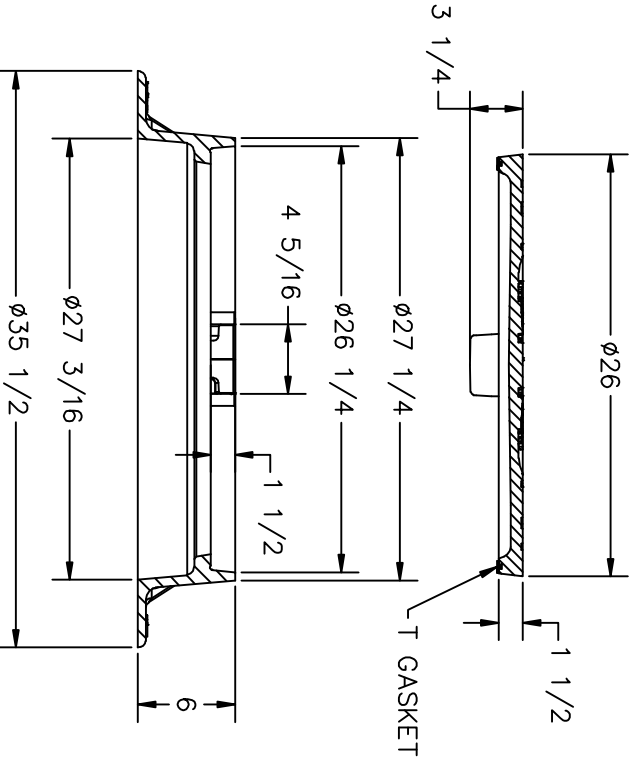
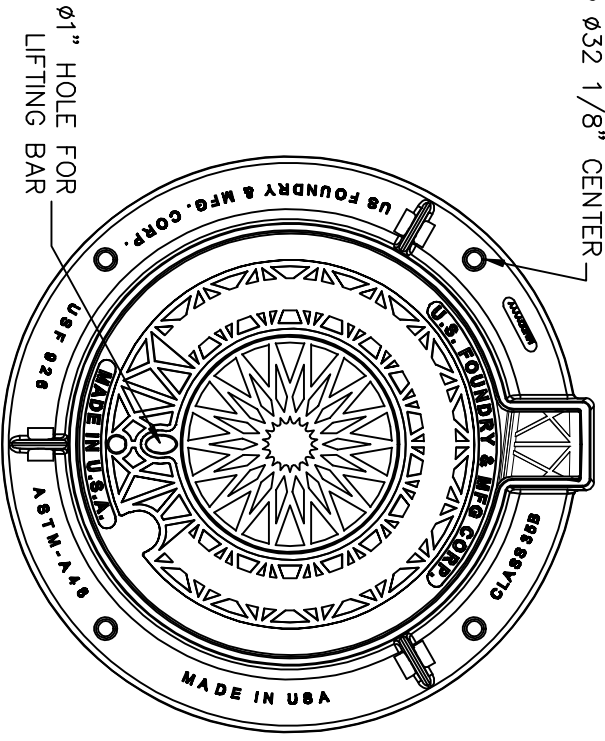
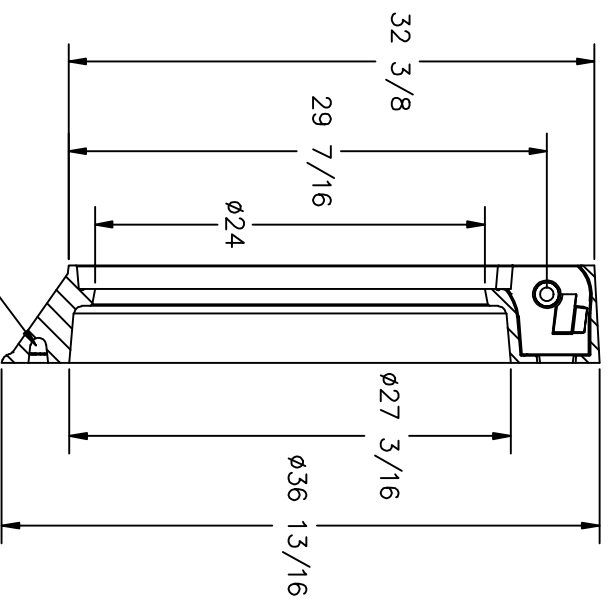


(4) - $\phi 1$ " ANCHOR HOLES
@ $\phi 32 \frac{1}{8}$ " CENTER



(3) - LIFTING HOLES
RIBS



US FOUNDRY & MFG. CORP.
8351 NW 93rd Street, Medley, FL 33166-2025
ph: 1-800-432-9709, fax: 305-887-9429
www.usfoundry.com
© 2010 US Foundry & Mfg. Corp. All Rights Reserved

USF 926 Ring & US Cover

LOAD CLASSIFICATION: Heavy Duty	
MATERIAL: ASTM-A48 GRAY IRON CLASS35B	
Ring No: 8020733	WGT: 170
Cover No: 135	SCALE: 1"=1"
	DATE: 11-29-10
	DWN: PLS/OD
UNLESS OTHERWISE NOTED WEIGHT IS IN POUNDS AND APPROXIMATED	
REV: DATE:	REV BY: QUOTE#