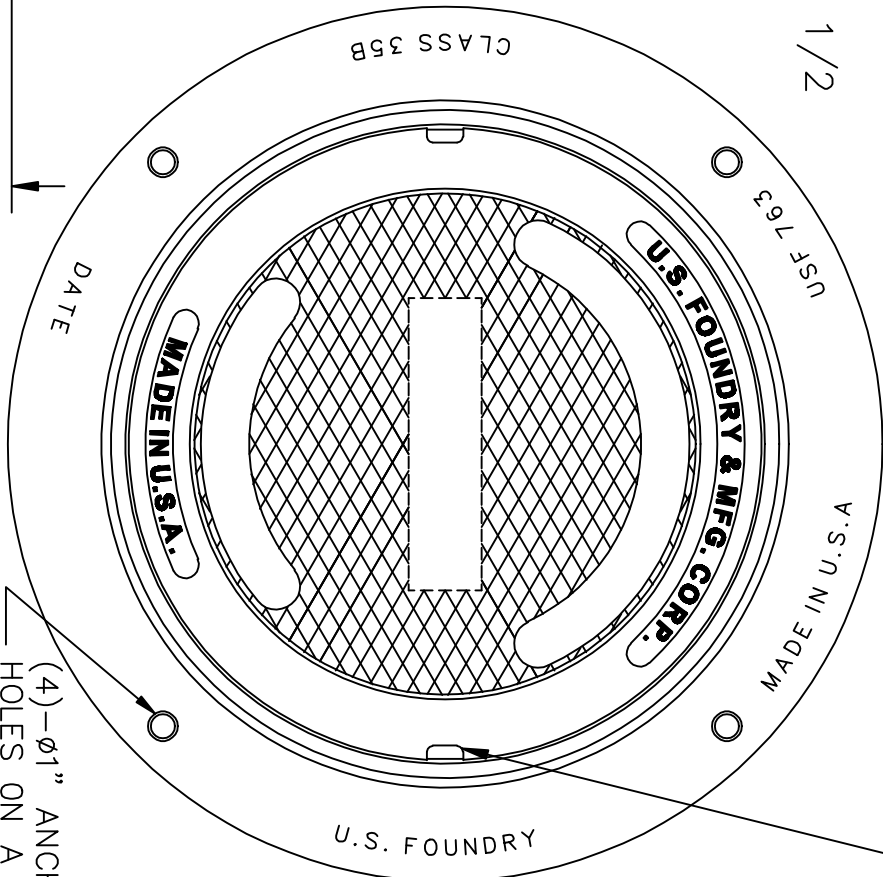
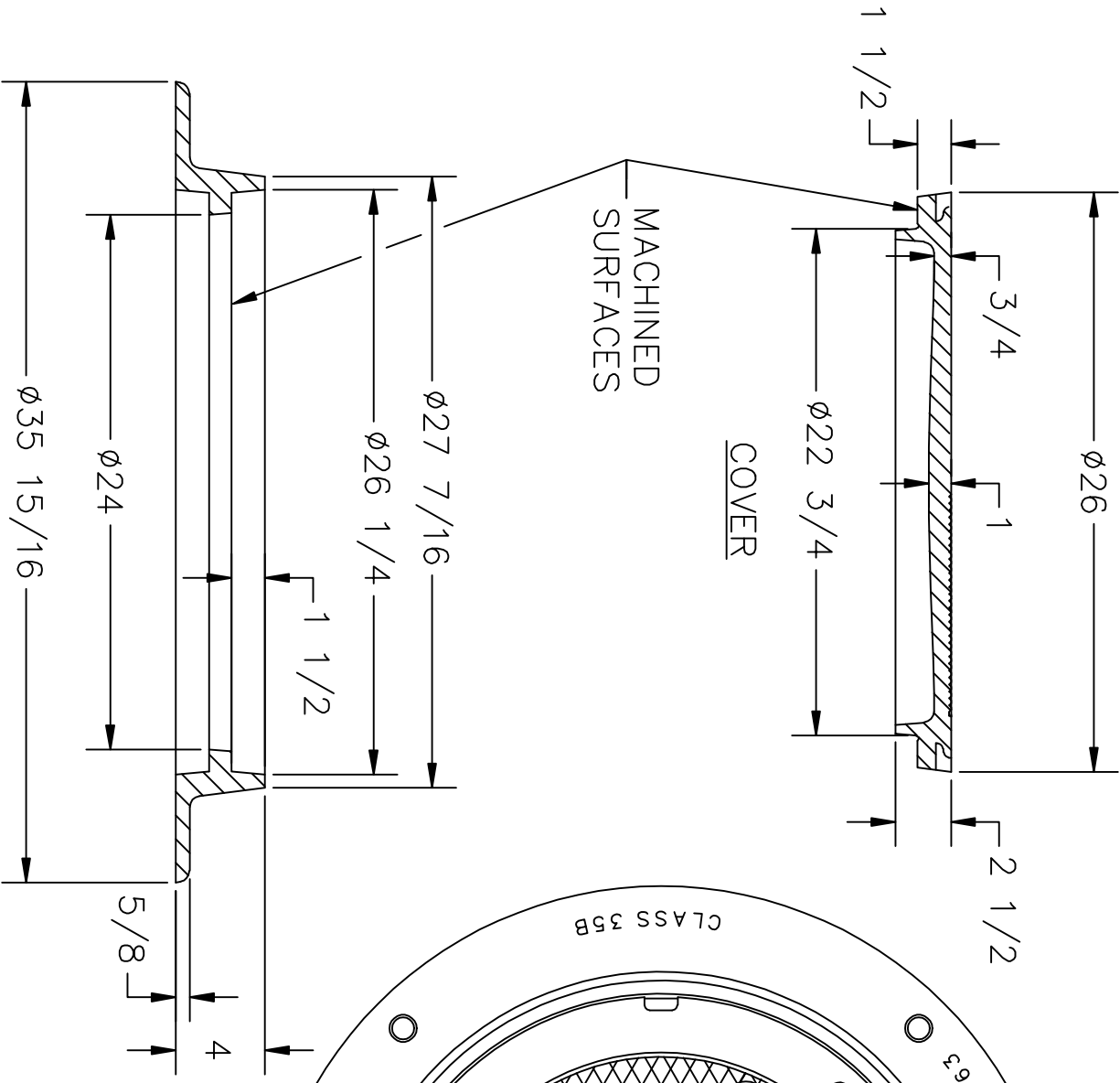


(2) NON-PENETRATING PICKHOLES TYPE 2.



US FOUNDRY & MFG. CORP.
 8351 NW 93rd Street, Medley, FL 33166-2025
 Ph: 1-800-432-9709; Fax: 305-887-9429
 www.usfoundry.com

© 2010 US Foundry & Mfg. Corp. All Rights Reserved

USF 763 Ring & NC Cover
 (USF 763 = USF 1763 reversible ring)

LOAD CLASSIFICATION: Heavy Duty

MATERIAL:	ASTM-A48 GRAY IRON CLASS35B
Ring No:	8020664
Weight:	165
Scale:	1/8"=1"
Cover No:	145
DATE:	12-7-07
DNM. BY:	OD
UNLESS OTHERWISE NOTED WEIGHT IS IN POUNDS AND APPROXIMATED	
REV.:	DATE:
REV. BY:	QUOTE#1630, 1631