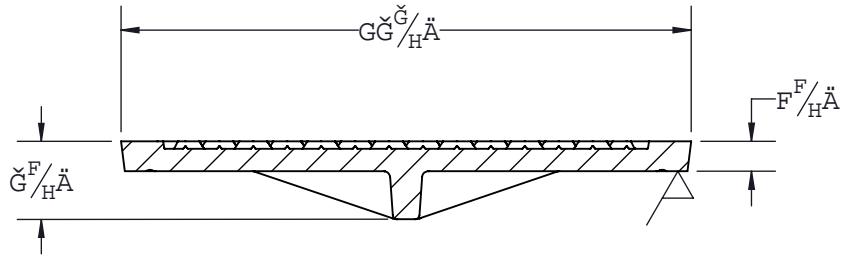
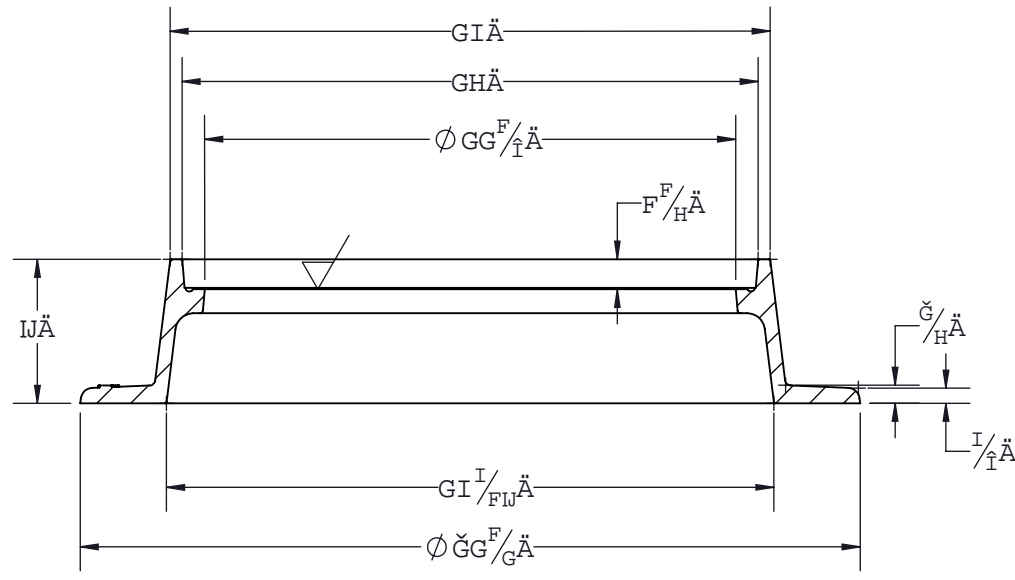


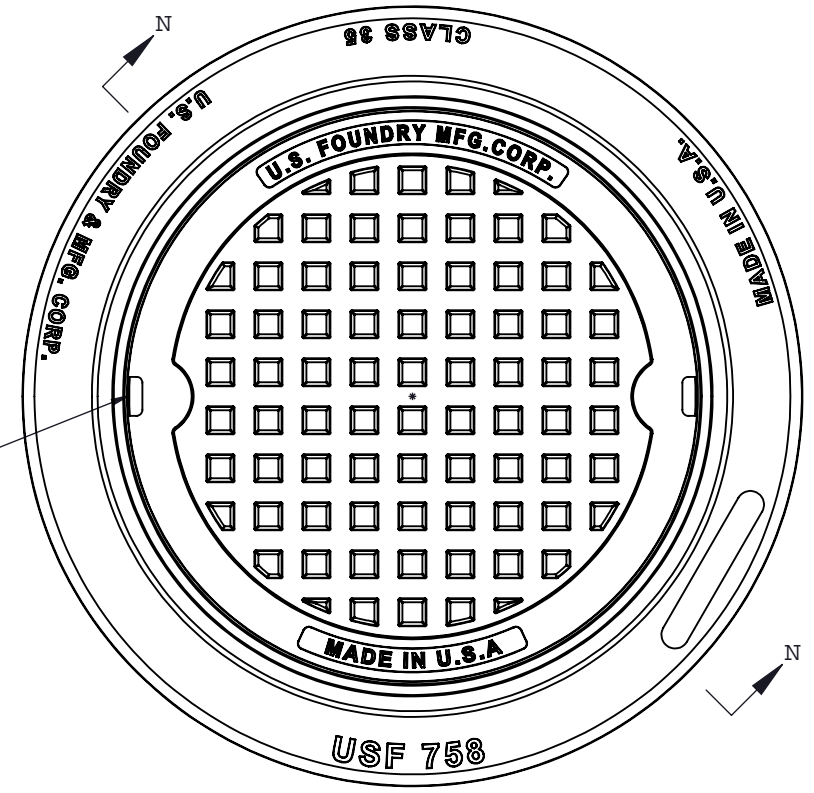
H:9B:CFA5HC B7CBH5B98 B H:G8F5K B: 4GH:9GC@DFCD9FHC:1 G:C1B8FM A5BI:57HF B: 7CFD*5BMF9DFC8I7HC B B D5FH
 CF5G5K <C@K H:C1HH:9K F#H9B D9FA GGCBC:1 G:C1B8FM A5BI:57HF B: 7CFD*6DFC <6H98*1 G:C1B8FM A5BI:57HF B:
 7CFD*F99FJ 9GH:9F <HHC A579A C8@75HC BGHC 89G@ B K H:C1HDF CF BCH7 98F5K B: 4I B7CBHC@98 K <9B DF:8H8*K 9@ <HG
 5B8 8A 9BGC BG5F9DFCJ 698:CF F9:9F 9B79CB@M# 88% I G:C1B8FM5B 95: @A5BI:57HF B: 7CAD5BM



G[ĀS~^ĀŞæ^æ\ äá\ ↔^&
 Ş↔' ←ĀÖ~→æb



UÓÓÜŠŠÁNĚN



US FOUNDRY
 AN EAGLE MANUFACTURING COMPANY

I G: '+), 'F]b[/ '9'7cj Yf

© 58 7 6GG=75HC B.		J gcx{ 'F w{
A 5HPF 5@	I tc{ 'Ecu'Kqp	CUVO/C6: 'Encu'57D
#9A.	655B :	8F5K B:
F]b[: 242752	85HP
7cj Yf		8B; 4237
		8F5K B 6M
		WNU
F9J	2 85HP	F9J 6M
		E1CH9.

:cfU Wca d YHY dfcXi WhcZYf]b[d YUgy j]gh i gUh k k k "i gZci bXfmWca

7i gftca Yf 8fuk]bl