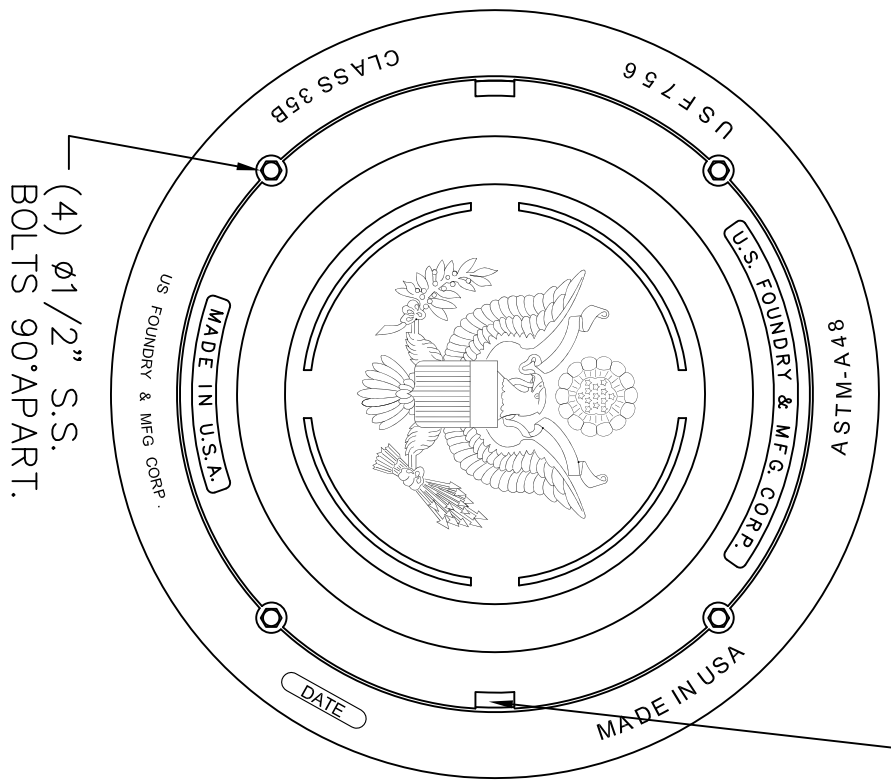
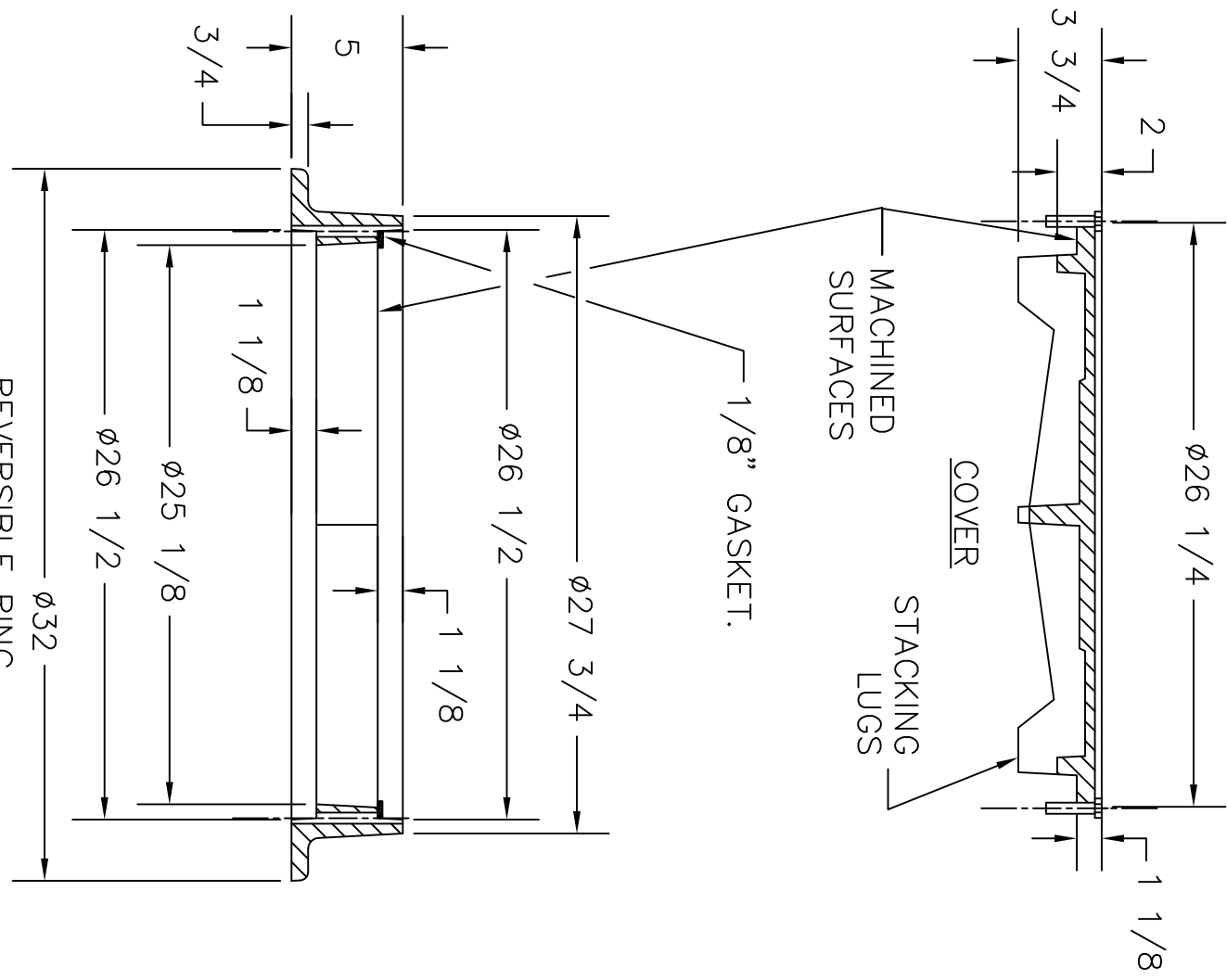



(2) - NON-PENETRATING PICKHOLES



 <p>US FOUNDRY &amp; MFG. CORP. 8351 NW 93rd Street, Medley, FL 33166-2025 ph: 1-800-432-9709; fax: 305-887-9429 www.usfoundry.com</p>	
<p>© 2010 US Foundry &amp; Mfg. Corp. All Rights Reserved</p>	
<p><b>USF 756 RING &amp; G1 COVER</b> (w/ BOLTING APPLICATION (DRILLED))</p>	
LOAD CLASSIFICATION: Heavy Duty	
MATERIAL: ASTM-A48 GRAY IRON CLASS35B	
Ring No: 8020508	WGHT: 155
Cover No: 150	SCALE: 1/8"=1"
	DATE:
	DRW. BY: ULS
UNLESS OTHERWISE NOTED WEIGHT IS IN POUNDS AND APPROXIMATED	
REV:	DATE:
REV BY:	QUOTE#