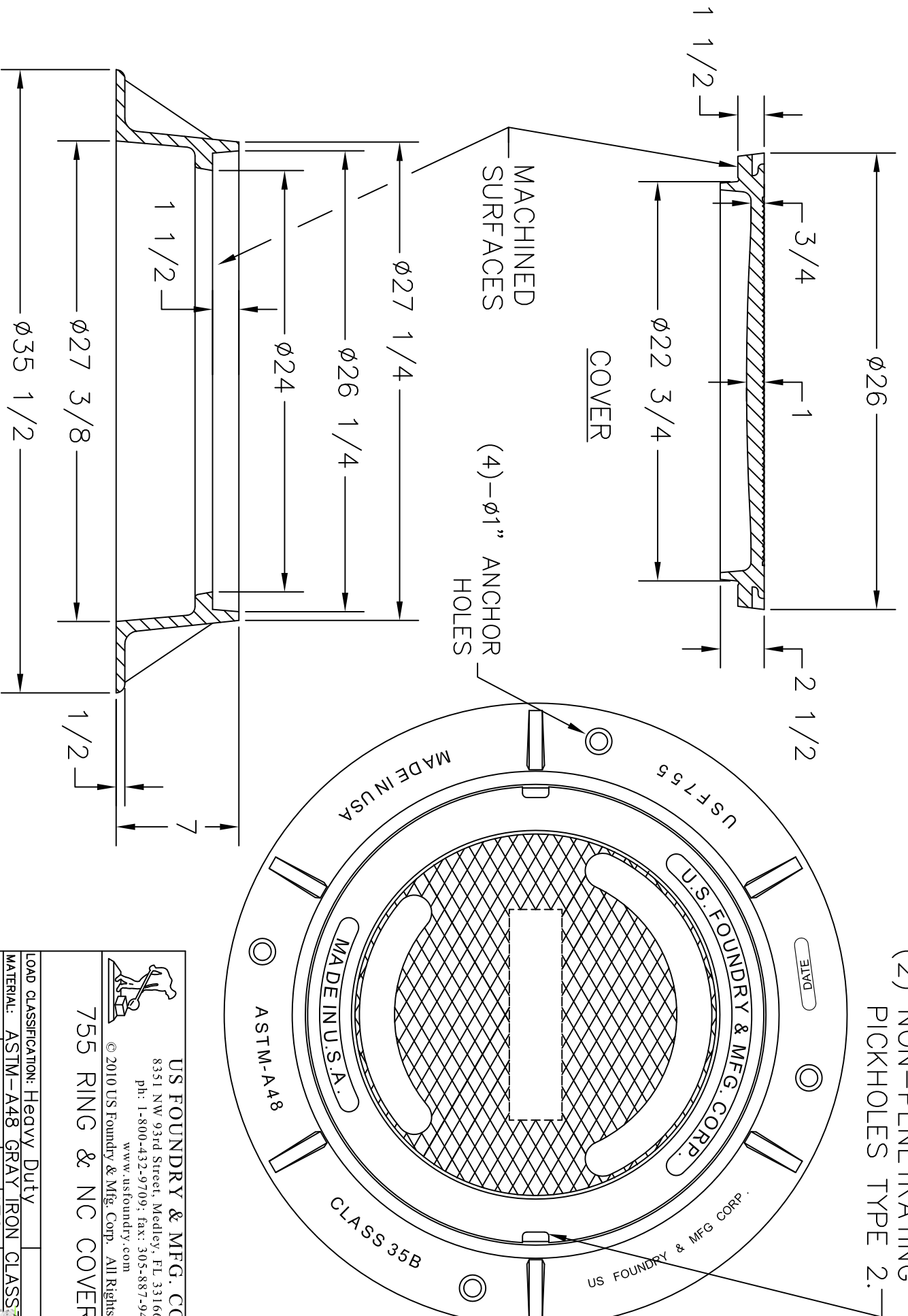



(2) NON-PENETRATING PICKHOLES TYPE 2.




US FOUNDRY & MFG. CORP.
 8351 NW 93rd Street, Medley, FL 33166-2025
 ph: 1-800-432-9709; fax: 305-887-9429
 www.usfoundry.com
 © 2010 US Foundry & Mfg. Corp. All Rights Reserved

755 RING & NC COVER

LOAD CLASSIFICATION: Heavy Duty	
MATERIAL: ASTM-A48 GRAY IRON CLASS 35B	
Ring No: 8020528	WGHT: 170
Cover No: 145	SCALE: 1/8"=1"
DATE:	DATE:
REV BY:	DMN PLS/OD
DATE:	QUOTE#

UNLESS OTHERWISE NOTED WEIGHT IS IN POUNDS AND APPROXIMATED