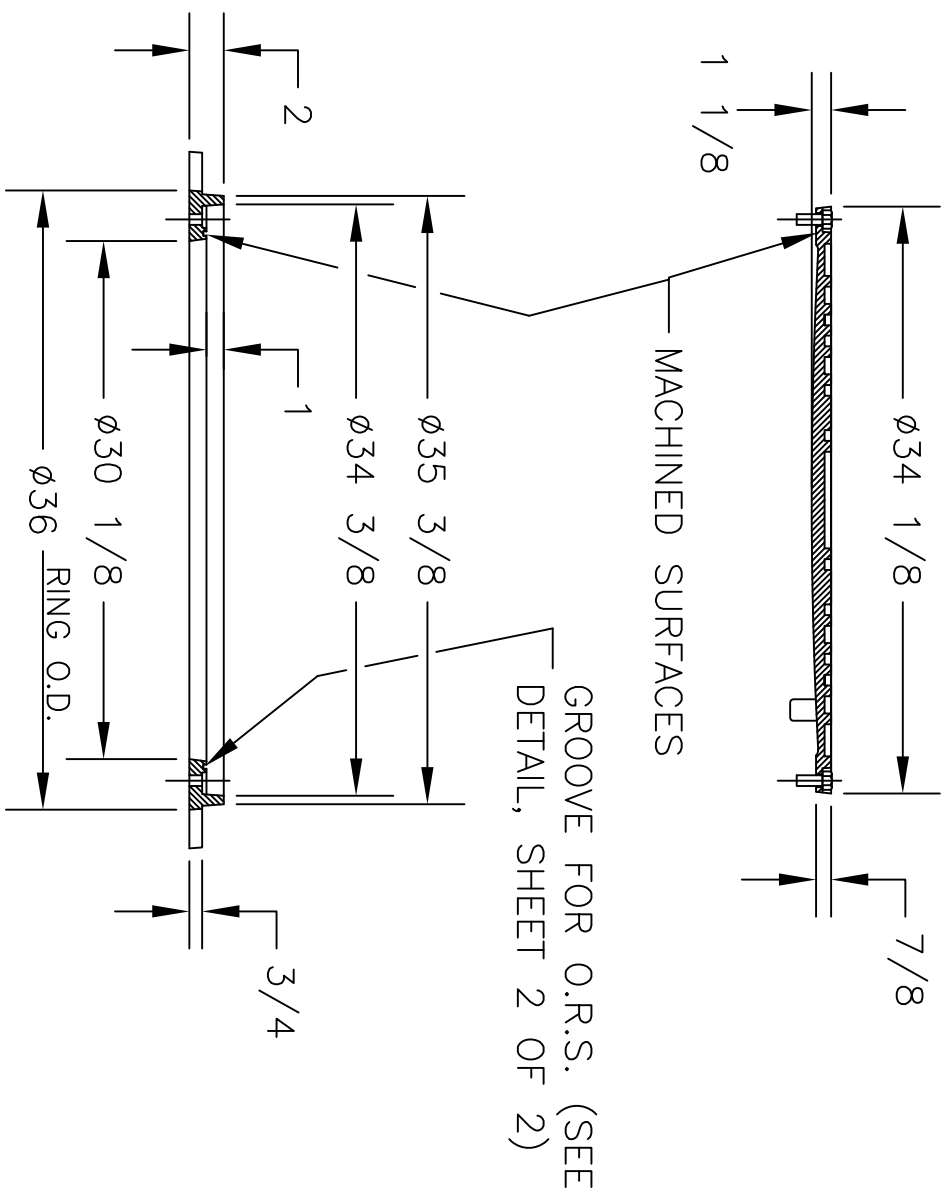
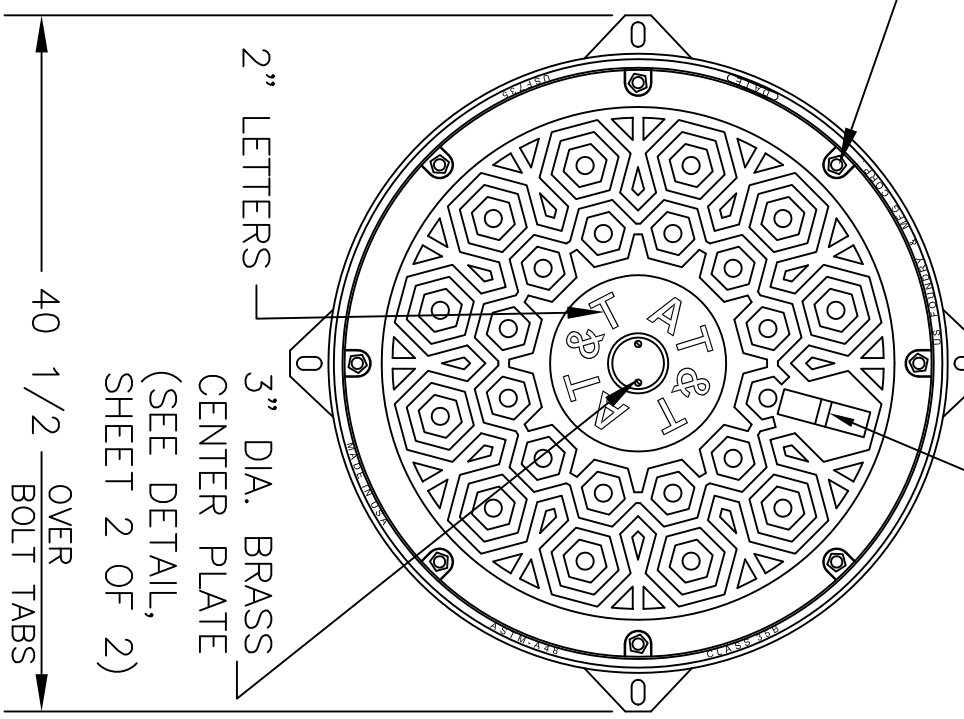


(8) - 5/8" X 1 1/2" LONG Δ
 PENTA-HEAD S.S. BOLTS
 (SEE DETAIL, SHEET 2 OF 2)



SLOT-
 3/4" X 17/16"
 (1) LIFT BAR



US FOUNDRY & MFG. CORP.
 8351 NW 93rd Street, Medley, FL 33166-2025
 ph: 1-800-432-9709; fax: 305-887-9429
 www.usfoundry.com
 © 2010 US Foundry & Mfg. Corp. All Rights Reserved

USF 735 RING & GM COVER
 (BOLTED O.R.S.)

LOAD CLASSIFICATION: Heavy Duty	
MATERIAL: ASTM-A48 GRAY IRON CLASS35B	
Ring No: 8020120	WGHT: 90
Cover No: 195	DATE: 195
UNLESS OTHERWISE NOTED WEIGHT IS IN POUNDS AND APPROXIMATED	
REV: DATE: REV BY: QUOTE#	