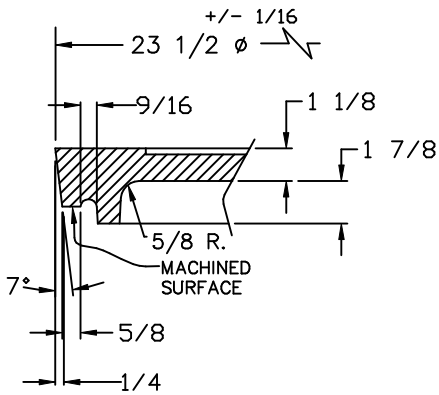
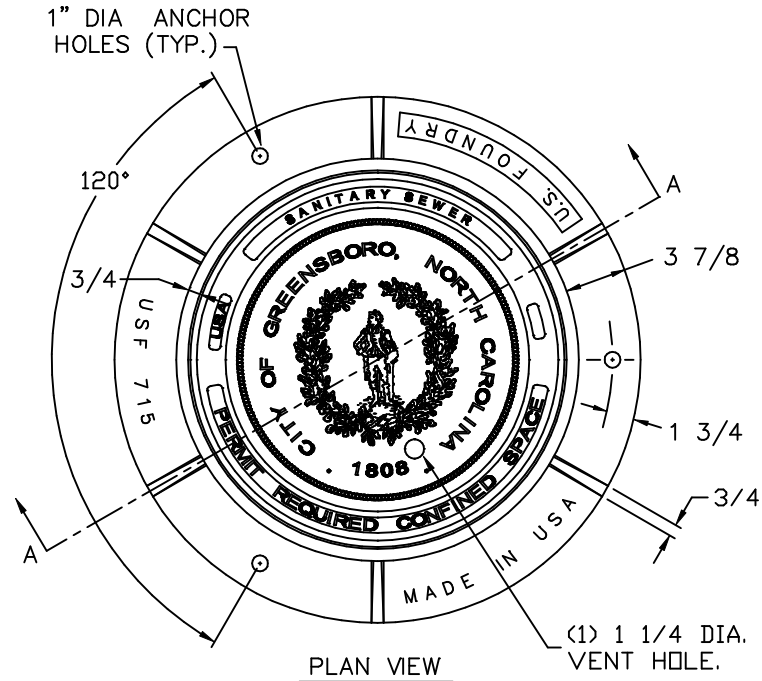


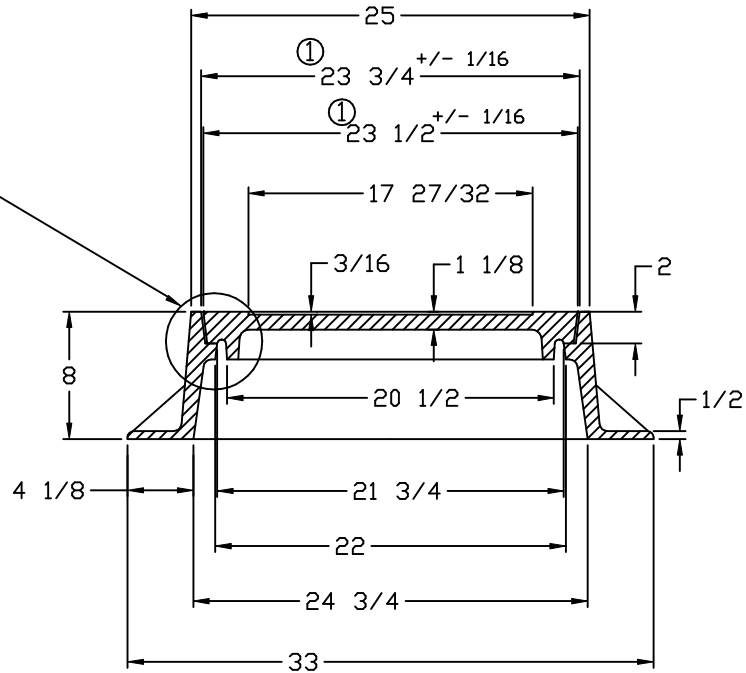
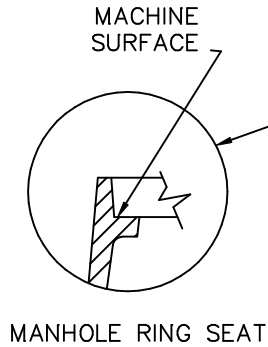
COVER WGT: 155 LBS.
RING WGT: 220 LBS.

MATERIAL; ASTM-A48 CLASS 35B
GRAY IRON.

CASTING WEIGHT SHALL BE WITH IN
5 % OF CATALOG PUBLISHED WEIGHT.



DETAIL



SECTION A-A

BAAN # 8013338

NOTE:

① TOLERANCES: $\pm 1/16$ " ; NOTWITHSTANDING THESE TOLERANCES, ALL FRAMES, COVERS AND GRATES OF THE SAME NOMINAL SIZE SHALL BE INTERCHANGEABLE AND TO STD. U.S.F. TOLERANCES.

HORIZONTAL SURFACE OF MANHOLE RING SEAT TO BE MACHINED TO INSURE PROPER FIT.

 U.S. FOUNDRY & MFG. CORP.
MEDLEY, FLORIDA

USF 720 RING AND GE COVER

DWN. BY: HFERNANDEZ	SCALE: 1/8" = 1"	DATE: 3/20/02
CHK. BY:	DWG. NO: A5657	REV: