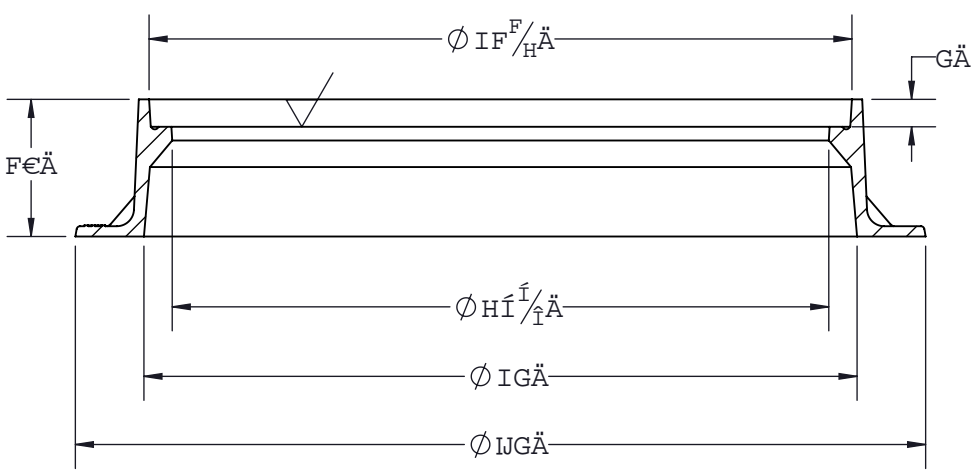
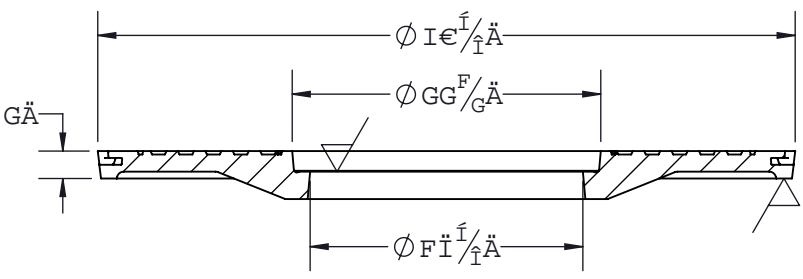
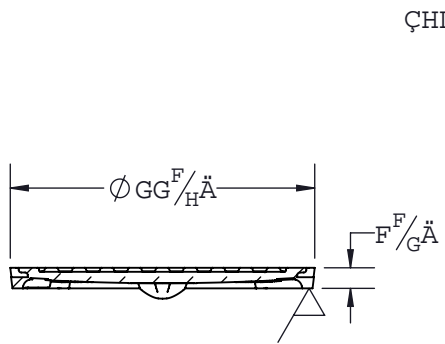
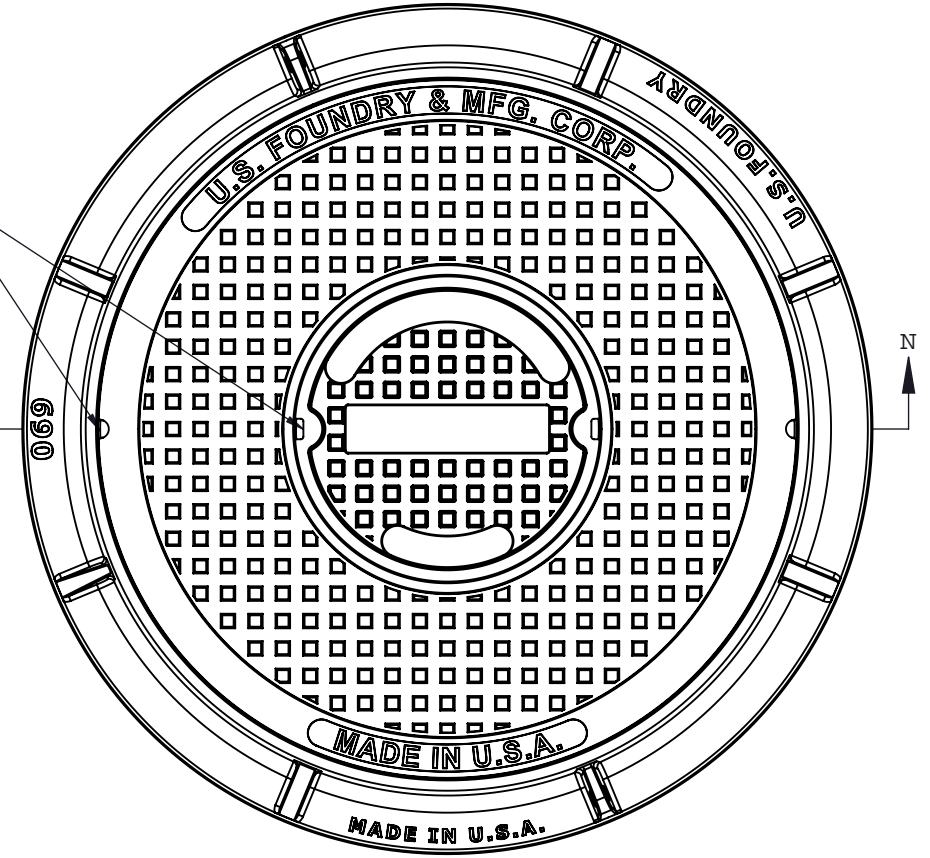


H:9B:CFA5HC B7CBH5B98 B H:68F5K B: 4GH:9GC@DFCD9FMC: 1'G':C1B8FM' A5BI:57HF B: 7CFD'5BMF9DFC8I7HC B B D5FH
 CF5G5 K <C@K H:C1HH:9K F#H9B D9FA 4GCBC: 1'G':C1B8FM' A5BI:57HF B: 7CFD'6DFC <6H98'1'G':C1B8FM' A5BI:57HF B:
 7CFD'F99FJ 9GH:9F# <HC A579A C8#75HC BGHC 89G# B K H:C1HDF:CFBCH7 9'8F5K B: 4I B7CBHC@98 K <9B DF:8H8"K 9# <HG
 5B8 8A 9BGC BG5F9DFCJ 498:CF F9:9F9B79CB@M# 88% 1'G':C1B8FM5B'95; @A5BI:57HF B: 7CAD5BM



UÓÓÚŠŠÁNĚN



US FOUNDRY
 AN EAGLE MANUFACTURING COMPANY

,')%BK '- ' FX GhtYyh
 A YX'Ymž: @' ' %*! &\$&
 d\ .%d, \$\$!(' &! - + \$-
 ZUl .'' \$)! , +! - (&-
 k k k "i gZci bXfmWca
 '&\$%' '5'' F][\hg FYgYfj YX

I G: '* - \$'F]b[/ ' 5; #A '7cj Yfg

© 58 7 6GG# 7 5HC B. CCUI VQ'O 528		
A 5H9F 5@	I tc{'Ecuw'Kqp	CUVO/C6: 'Encui'57D
#9A.	655B'	8F5K B:
		85HP
		33 44 4238
		8F5K B'6M
		WNUICD
F9J	2 85HP	F9J 6M
		E T CH9.

:cfU Wca d'YH' d'fcXi WhcZYfb['d'YUg' j]gh' gUh k k k "i gZci bXfmWca

7i gftca Yf'8fuk]bl