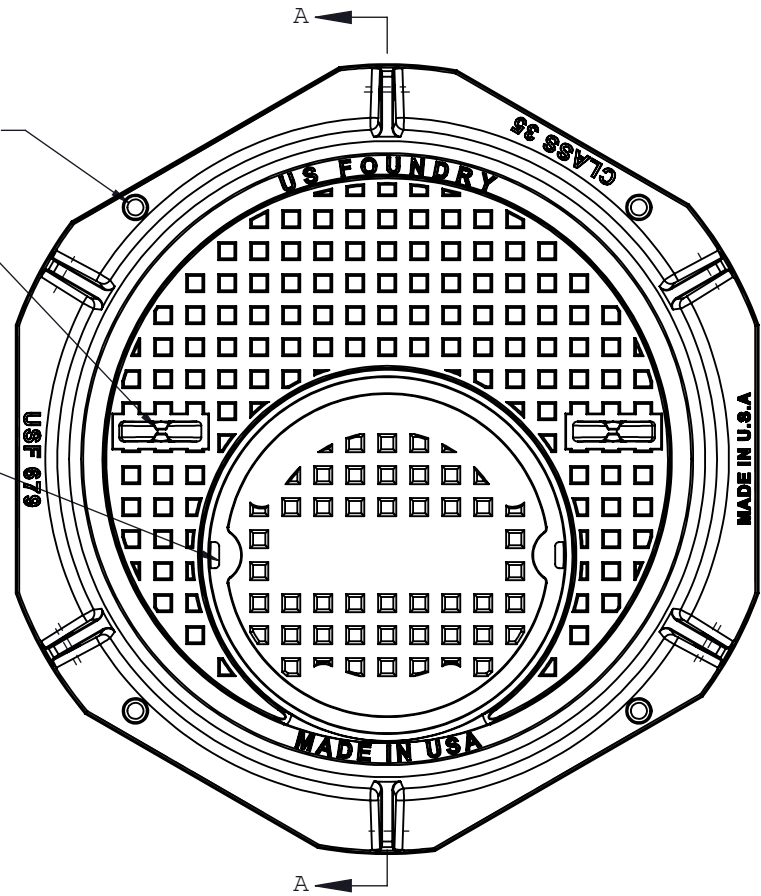
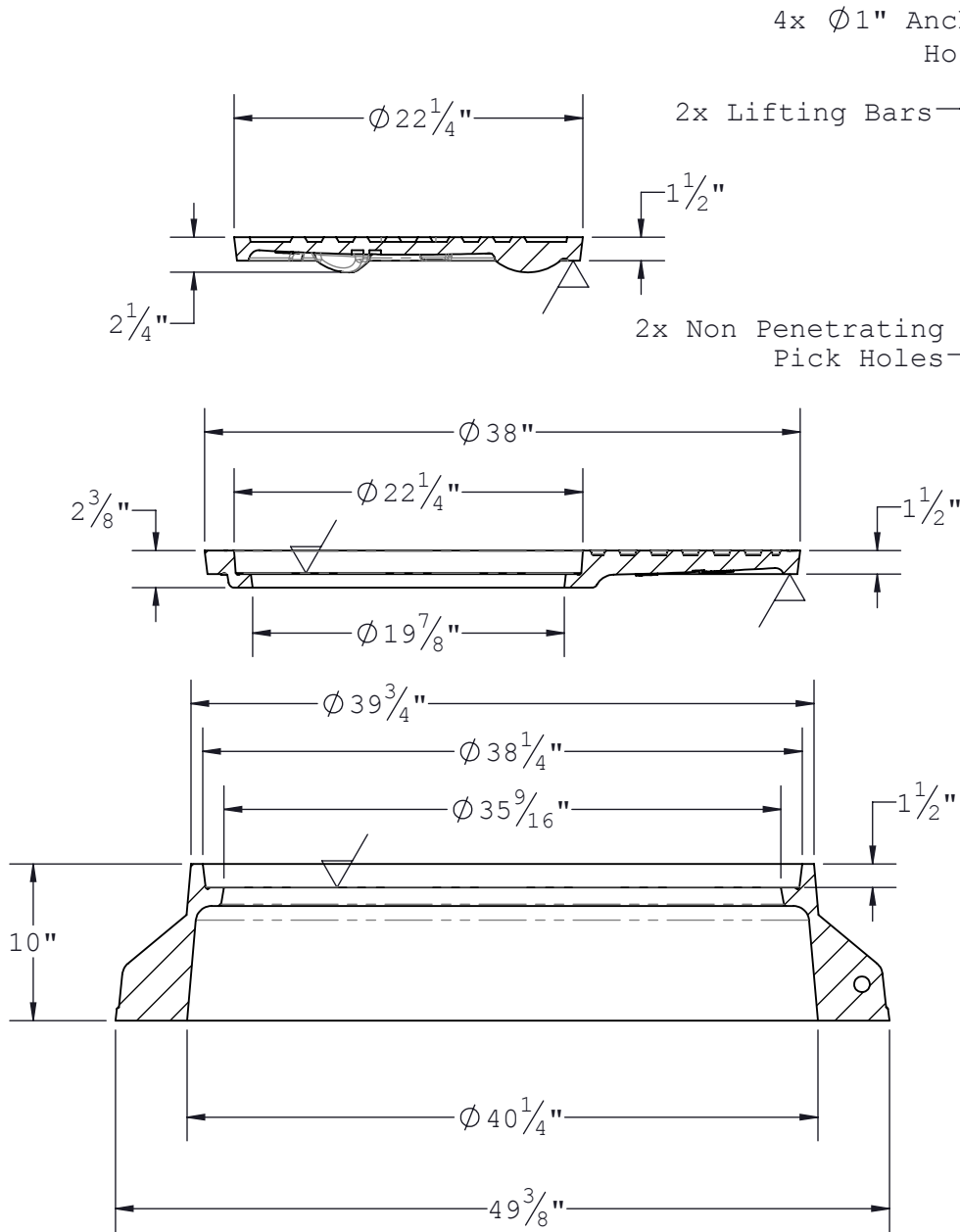


THE INFORMATION CONTAINED IN THIS DRAWING IS THE SOLE PROPERTY OF U.S. FOUNDRY & MANUFACTURING CORP. ANY REPRODUCTION IN PART OR AS A WHOLE WITHOUT THE WRITTEN PERMISSION OF U.S. FOUNDRY & MANUFACTURING CORP. IS PROHIBITED. U.S. FOUNDRY & MANUFACTURING CORP. RESERVES THE RIGHT TO MAKE MODIFICATIONS TO DESIGN WITHOUT PRIOR NOTICE. DRAWING IS UNCONTROLLED WHEN PRINTED. WEIGHTS AND DIMENSIONS ARE PROVIDED FOR REFERENCE ONLY © 2014 US FOUNDRY AN EAGLE MANUFACTURING COMPANY



8351 NW 93rd Street
 Medley, FL, 33166-2025
 ph: 1-800-432-9709
 fax: 305-887-9429
 www.usfoundry.com

US FOUNDRY
 AN EAGLE MANUFACTURING COMPANY © 2014 All Rights Reserved

USF 679 Ring & QN/M-1 Double cover

LOAD CLASSIFICATION:		Heavy Duty	
MATERIAL:		Gray Cast Iron ASTM-A48 Class 35B	
ITEM:	BAAN #	DRAWING	
Ring			
Cover		DATE	4/1/2014
Cover2		DRAWN BY	OD/ULS
REV	0	DATE	REV BY
			QUOTE #

Customer Drawing