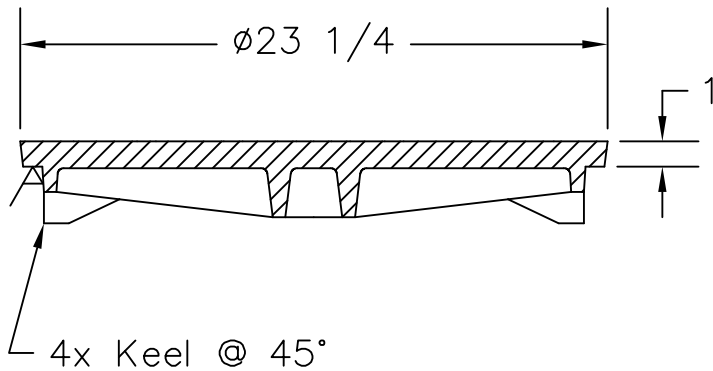
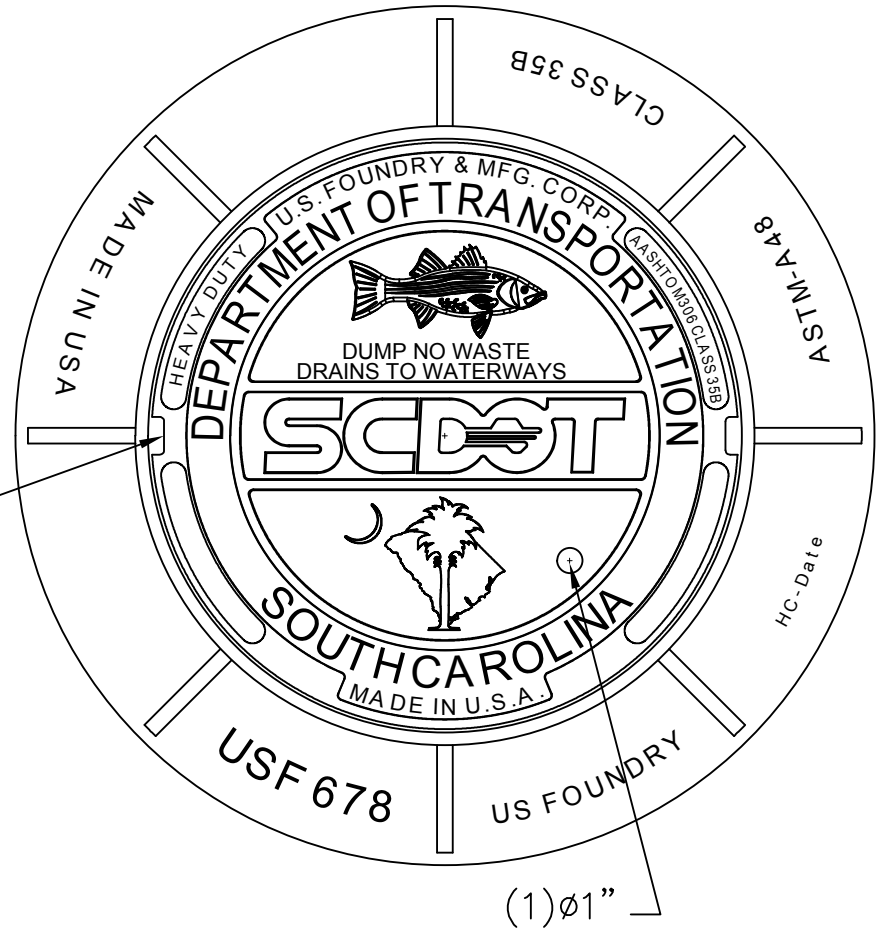
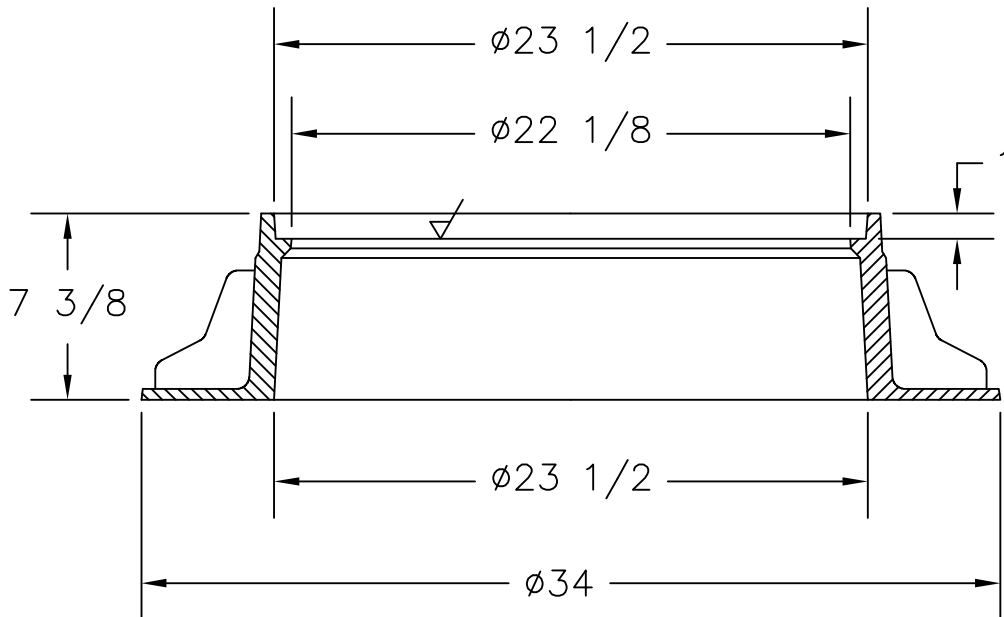


THE INFORMATION CONTAINED IN THIS DRAWING IS THE SOLE PROPERTY OF U.S. FOUNDRY & MANUFACTURING CORP. ANY REPRODUCTION IN PART OR AS A WHOLE WITHOUT THE WRITTEN PERMISSION OF U.S. FOUNDRY & MANUFACTURING CORP. IS PROHIBITED. U.S. FOUNDRY & MANUFACTURING CORP. RESERVES THE RIGHT TO MAKE MODIFICATIONS TO DESIGN WITHOUT PRIOR NOTICE. DRAWING IS UNCONTROLLED WHEN PRINTED. WEIGHTS AND DIMENSIONS ARE PROVIDED FOR REFERENCE ONLY © 2014 US FOUNDRY AN EAGLE MANUFACTURING COMPANY



(2)NPPH



8351 NW 93rd Street
Medley, FL, 33166-2025
ph: 1-800-432-9709
fax: 305-887-9429
www.usfoundry.com
© 2014 All Rights Reserved



US FOUNDRY
AN EAGLE MANUFACTURING COMPANY

USF 678 Ring & PZ Cover
SC DOT

LOAD CLASSIFICATION: Heavy Duty		
MATERIAL: AASHTO M306 GRAY IRON CLASS35B		
Ring No:		SCALE: 1/8"=1"
Cover No:		DATE: 10/16/2009
		OWN. BY: ULS/OD
REV: 0	DATE:	REV BY:
		QUOTE#