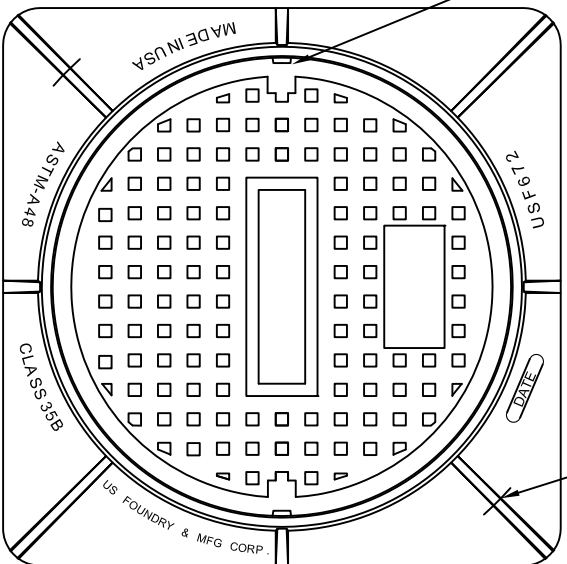
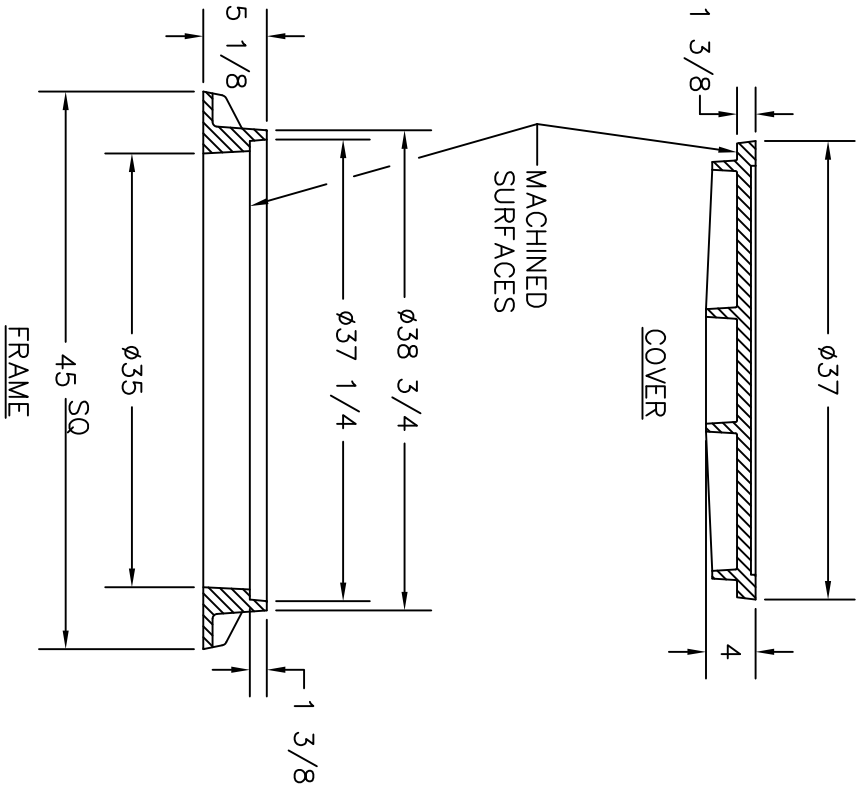


(2) - NON PENETRATING PICKHOLES.

(2) - 7/8" DIA. LIFTING HOLES



US FOUNDRY & MFG. CORP.
 8351 NW 93rd Street, Medley, FL 33166-2025
 ph: 1-800-432-9709; fax: 305-887-9429
 www.usfoundry.com
 © 2010 US Foundry & Mfg. Corp. All Rights Reserved

USF 672 RING & AE COVER

LOAD CLASSIFICATION: Heavy Duty

MATERIAL: ASTM-A48 GRAY IRON CLASS35B
 Ring No: 8020102 WGT: 460 SCALE: 1" = 1"
 Cover No: 440 DATE:
 DWG. BY: VNI

UNLESS OTHERWISE NOTED WEIGHT IS IN POUNDS AND APPROXIMATED
 REV: DATE: REV BY: QUOTE#