

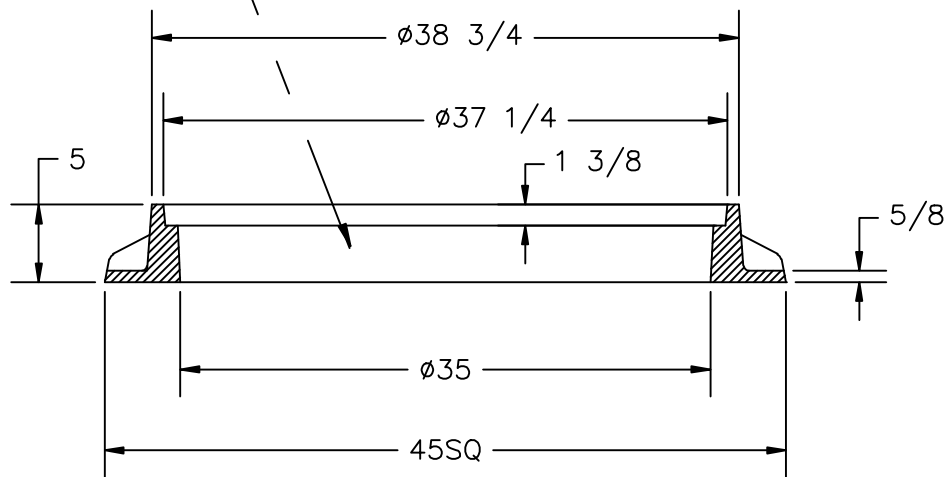
COVER

(2) - PENETRATING PICKHOLES.

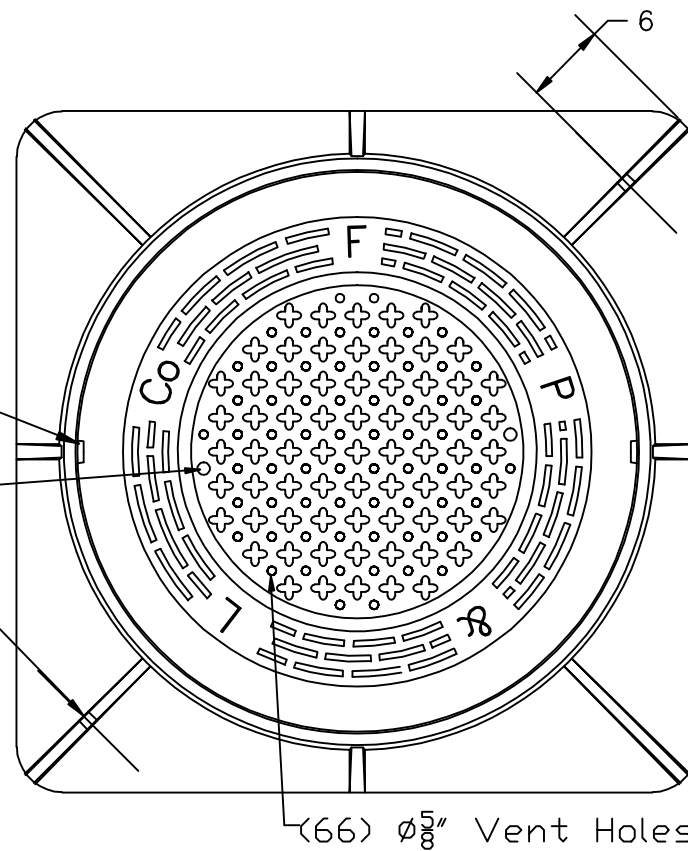
(2) $\phi_{7/8}$ " PICKHOLES

(2) $\phi_{7/8}$ " LIFTING HOLES

MACHINED SURFACE



RING



(66) $\phi_{5/8}$ " Vent Holes

US FOUNDRY & MFG. CORP.
 8351 NW 93rd Street, Medley, FL 33166-2025
 ph: 1-800-432-9709; fax: 305-887-9429
 www.usfoundry.com
 © 2010 US Foundry & Mfg. Corp. All Rights Reserved

USF 672 Ring & AD Cover

LOAD CLASSIFICATION: Heavy Duty			
MATERIAL: ASTM-A48 GRAY IRON CLASS35B			
Ring No:	8020102	WGHT: 460	SCALE: 1"=1"
Cover No:		425	DATE: 9-24-88
			DWN. BY: JM/NR
UNLESS OTHERWISE NOTED WEIGHT IS IN POUNDS AND APPROXIMATED			
REV:	DATE:	REV BY:	QUOTE#