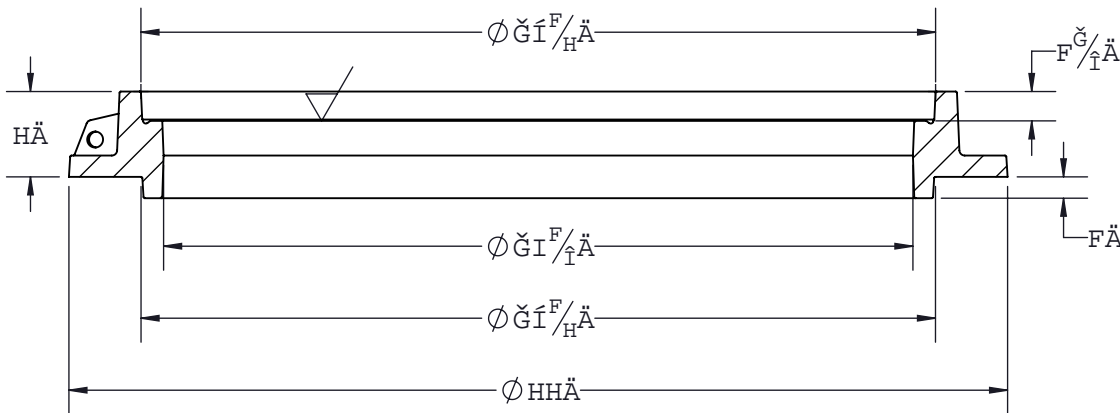
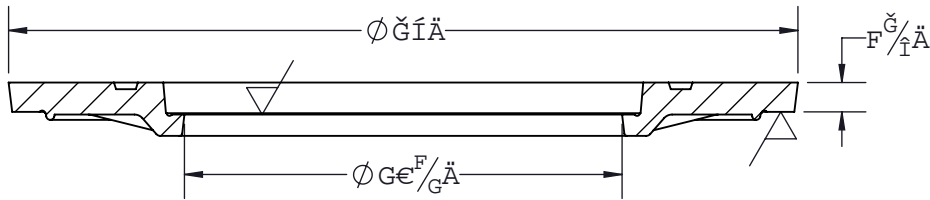
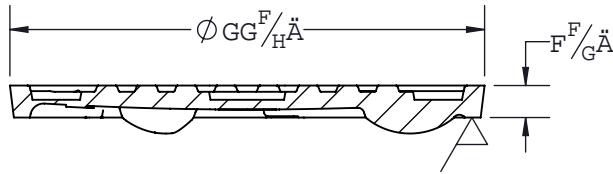
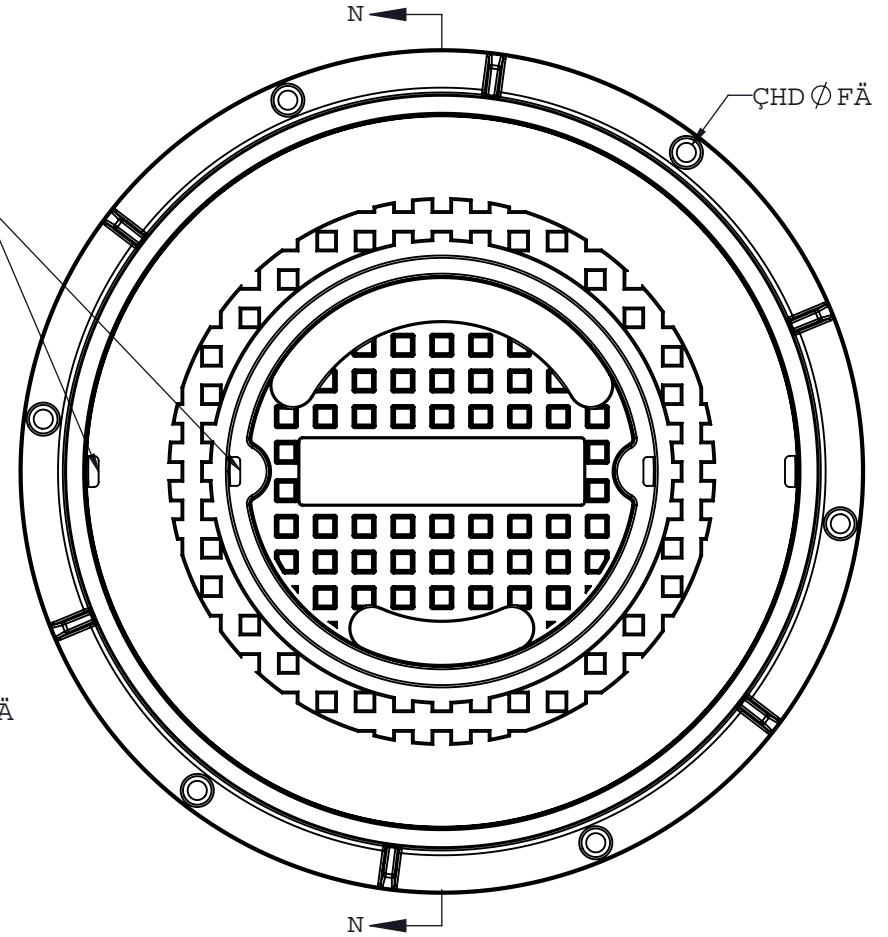


H:9B:CFA5HCB7CBH5B98BHK:68F5K B: 4GH:9GC@DFCD9FMC:1'G:CIB8FM' A5BI:57HF-B: 7CFD'5BMF9DFC8I7HC B 4D5FH
 CF5G5K <C@K H:C1HH:9KF#H9B D9FA 4GCBC:1'G:CIB8FM' A5BI:57HF-B: 7CFD'6DFC <6+98'1'G:CIB8FM' A5BI:57HF-B:
 7CFD'F99FJ9GH:9F< <HC A579AC8<75HCBGHC 89G< B K H:C1HDFCFBCH7'8F5K B: 4I B7CBFC@98 K <9B DF-BH98'K 9< <HG
 5B88A 9BGCBG5F9DFCJ 498:CF F9.9F9B79CB@M# 85% 1 G:CIB8FM5B'95: @A5BI:57HF-B: 7CAD5BM



UÓÓÜŠŠÁNĚN



US FOUNDRY
 AN EAGLE MANUFACTURING COMPANY

I G: '* +%F]b[/ '5: #A '7cj Yfg

© 58 7 6GG=75HC B. CCUI VQ'O 528		
A 5HPF 5@	I tc{'Ecu'Kqp	CUVO/C6: 'Ercui'57D
#9A.	655B.	8F5K B:
		85HP
		3444238
		8F5K B 6M
		WNUICD
F9J	2 85HP	F9J 6M
		E T C H9.

:cfU Wca d'YH' d'fcXi WhcZYf]b['d'YUg' j]gh' gUh k k k "i gZci bXfm'Wca

7i gřca Yf.8fuk]bl