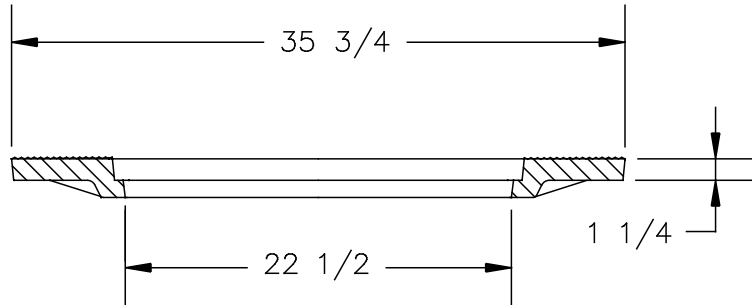
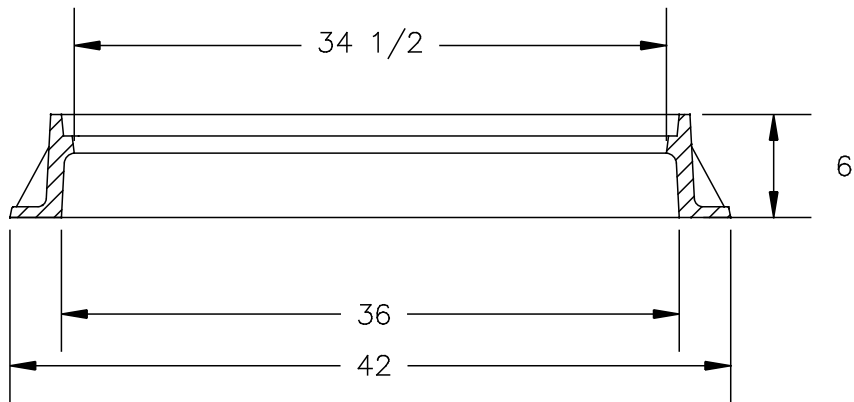


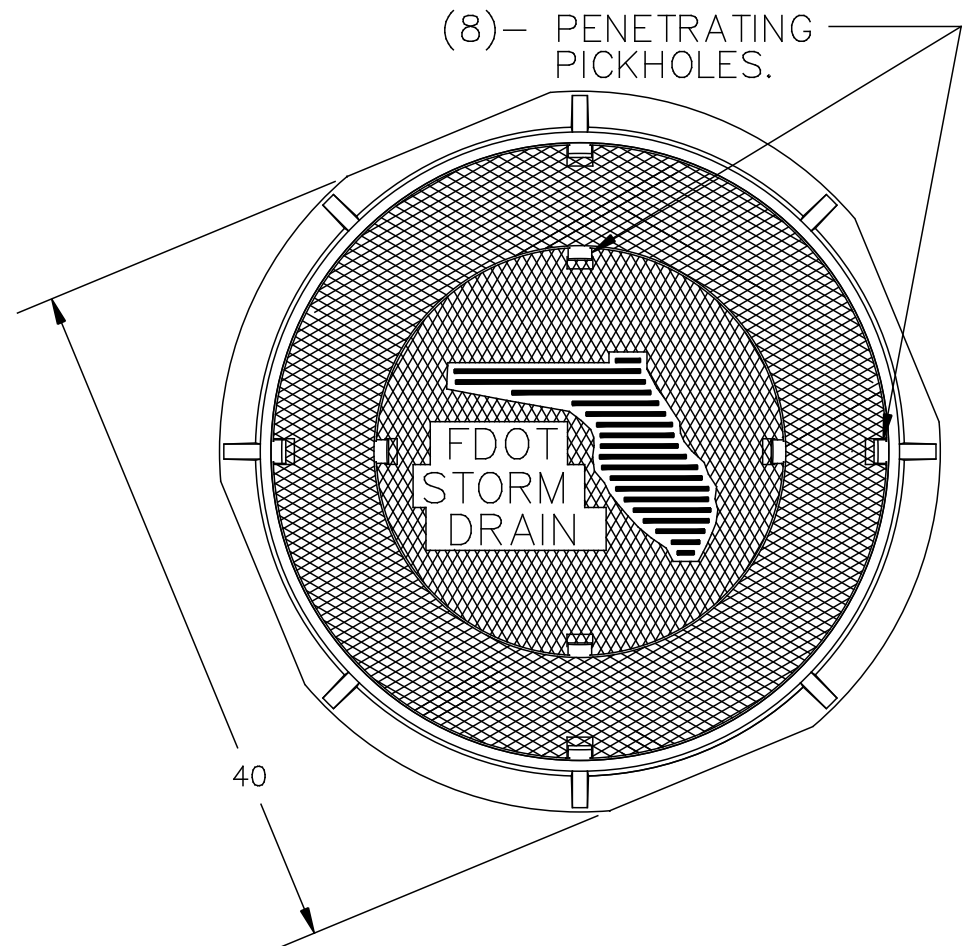
COVER



OUTER COVER



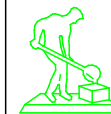
RING



(8)– PENETRATING PICKHOLES.

NOTES:

- 1– MATERIAL: ASTM–A48 CLASS 35B GRAY IRON.
- 2– RING WT: 220 LBS. APP.
- 3– OUTER COVER WT: 220 LBS. APP.
- 4– INNER COVER WT: 190 LBS. APP.



U.S. FOUNDRY & MFG. CORP.
MEDLEY, FLORIDA

USF 667 RING & CR – XB COVERS

DWN. BY: DBB	SCALE: 1"=1'-0"	DATE: 4/13/92
CHK. BY:	DWG. NO: A2578	REV: