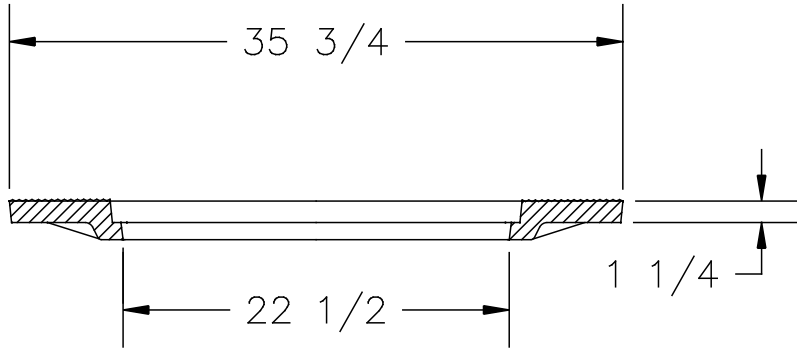
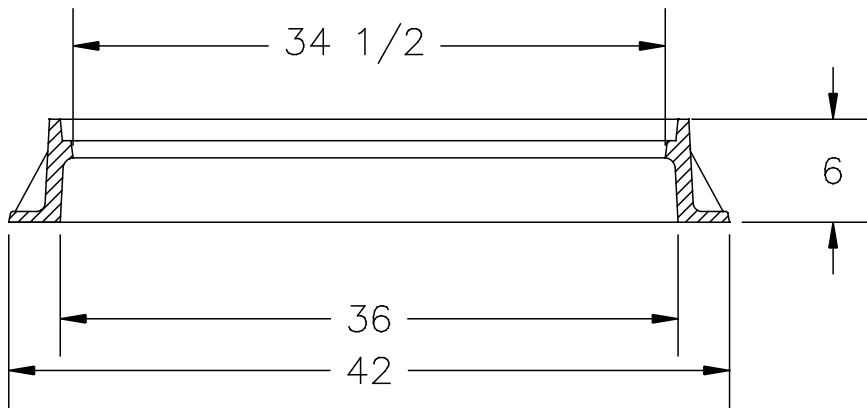


COVER

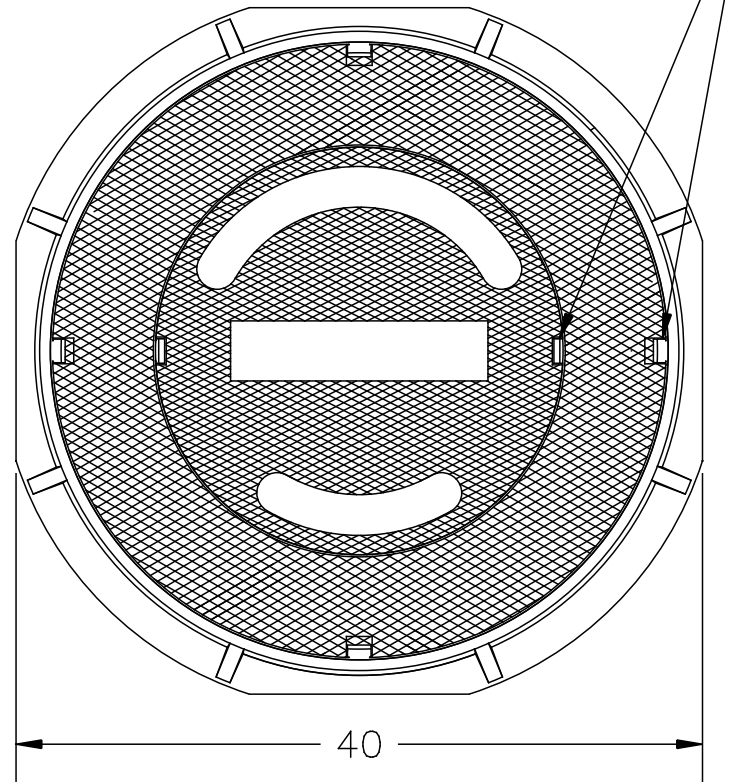


DOUBLE COVER



RING

(8)– NON PENETRATING PICKHOLES.



NOTES:

- 1– MATERIAL: ASTM–A48 CLASS 35B GRAY IRON.
- 2– RING WT: 220 LBS. APP.
- 3– OUTER COVER WT: 220 LBS. APP.
- 4– INNER COVER WT: 145 LBS. APP.



U.S. FOUNDRY & MFG. CORP.
MEDLEY, FLORIDA

USF 667 RING AND
CR OUTER COVER & CE INNER COVER

DWN. BY: DBB	SCALE: 1" = 1'-0"	DATE: 1/22/99
CHK. BY:	DWG. NO: A4346	REV: