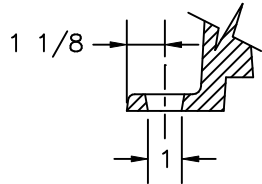
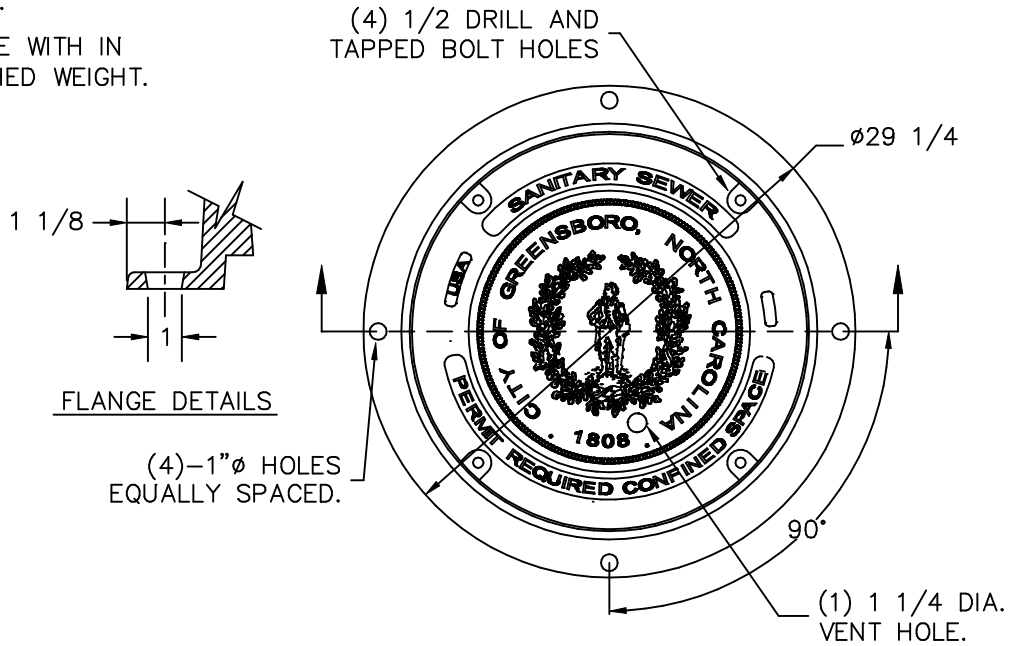


RING WT: 105 LBS. APP.
COVER WT: 125 LBS. APP.

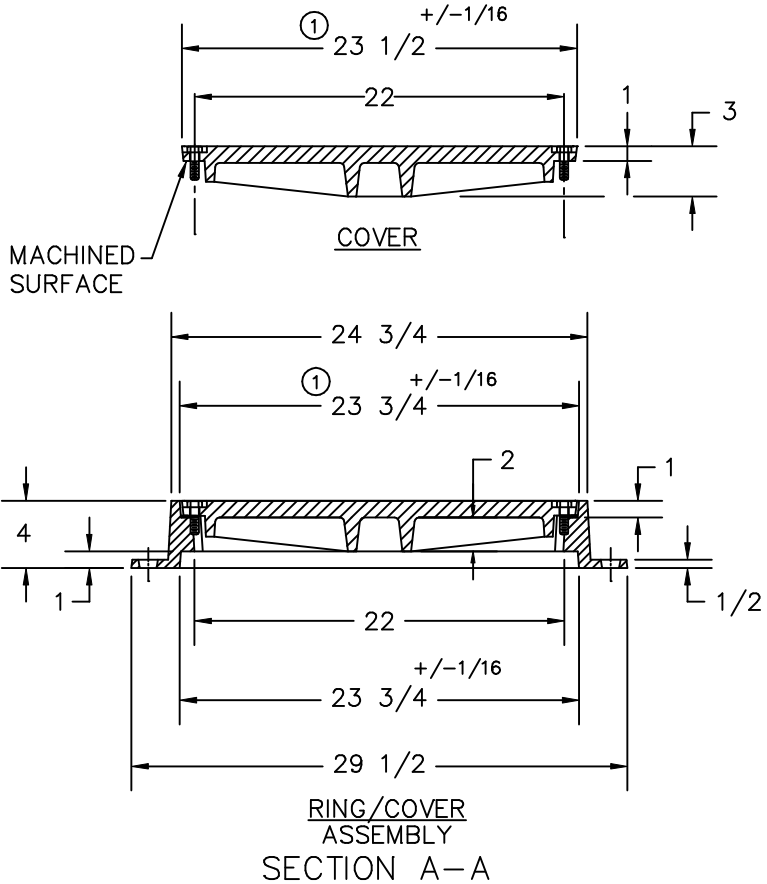
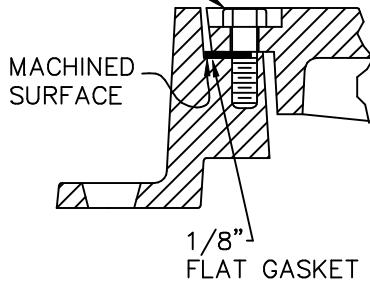
CASTING WEIGHT SHALL BE WITH IN
5 % OF CATALOG PUBLISHED WEIGHT.

MATERIAL: ASTM-A48 CLASS 35B
GRAY IRON.



FLANGE DETAILS

(4) 1/2"-13 X 2"
S.S. HEX HEAD BOLTS
WITH S.S. WASHERS



BAAN # 8020371

NOTES:

① TOLERANCES: $\pm 1/16$ " ;NONTWITHSTANDING THESE TOLERANCES, ALL FRAMES, COVERS AND GRATES OF THE SAME NOMINAL SIZE SHALL BE INTERCHANGEABLE AND TO STD. U.S.F. TOLERANCES.

HORIZONTAL SURFACE OF MANHOLE RING SEAT TO BE MACHINED TO INSURE PROPER FIT.

USE USF "KL" DRAG.

 U.S. FOUNDRY & MFG. CORP.
MEDLEY, FLORIDA

USF 664 RING & USF GC COVER

DWN. BY: HJF	SCALE: 3/32"=1"	DATE: 9/28/01
CHK. BY:	DWG. NO: A5498	REV: