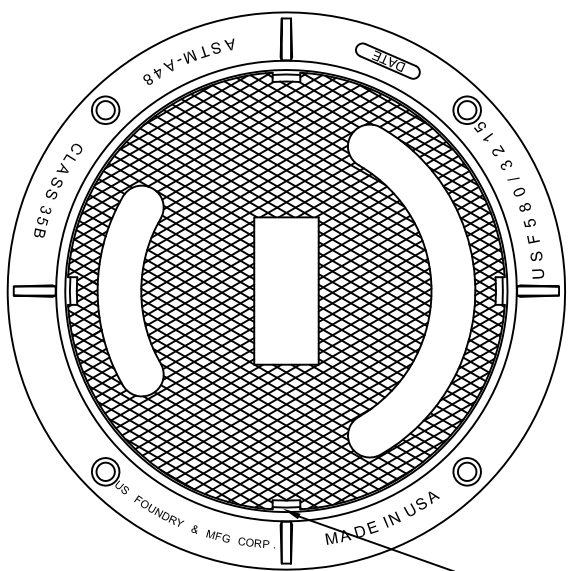
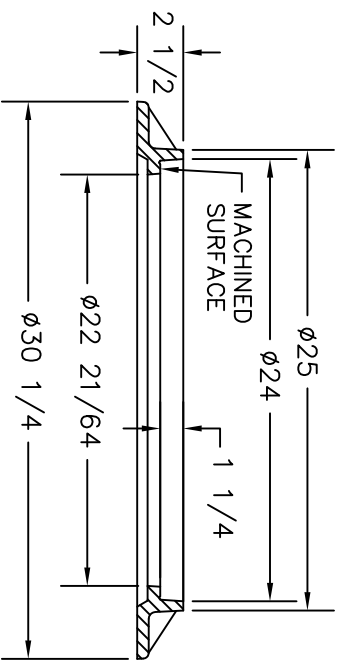
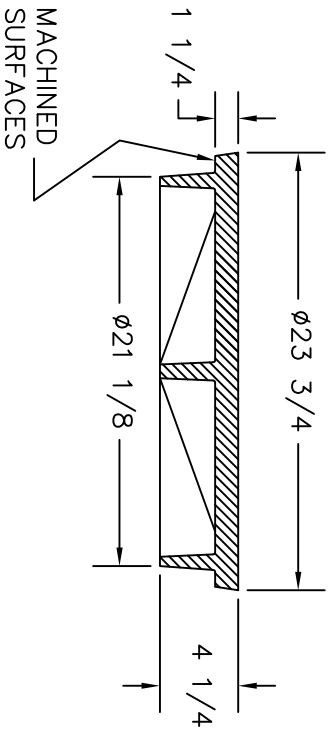



4-NON-PENETRATING PICKHOLES




US FOUNDRY & MFG. CORP.
 8351 NW 93rd Street, Medley, FL 33166-2025
 ph: 1-800-432-9709; fax: 305-587-9429
 www.usfoundry.com
 © 2010 US Foundry & Mfg. Corp. All Rights Reserved

USF 580 RING & X COVER

LOAD CLASSIFICATION: Heavy Duty

MATERIAL:	ASTM-A48 GRAY IRON CLASS35B
Ring No.:	8020171
Cover No.:	200
WGT:	75
SCALE:	1/8"=1"
DATE:	
DRW. BY:	IVN

UNLESS OTHERWISE NOTED WEIGHT IS IN POUNDS AND APPROXIMATED

REV:	DATE:	REV BY:	QUOTE#