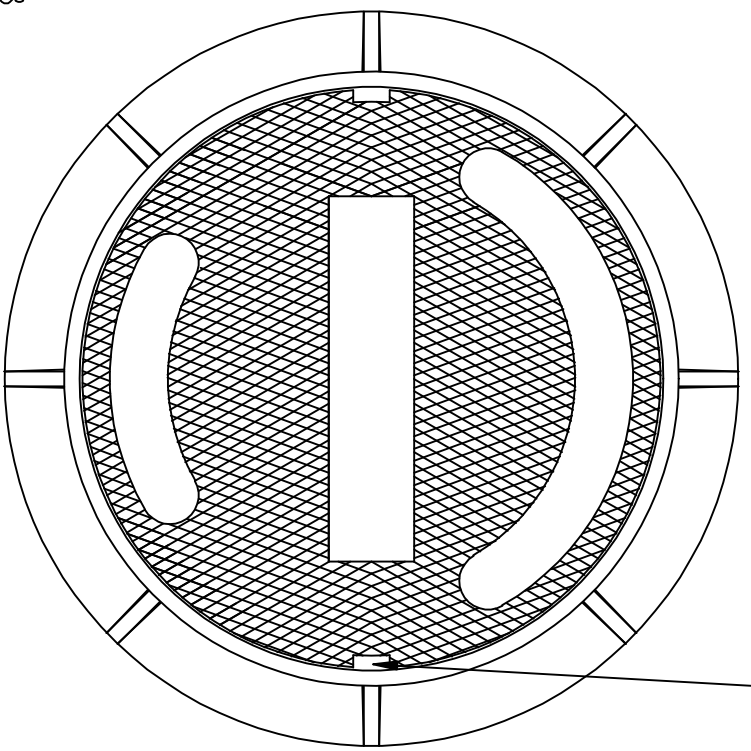
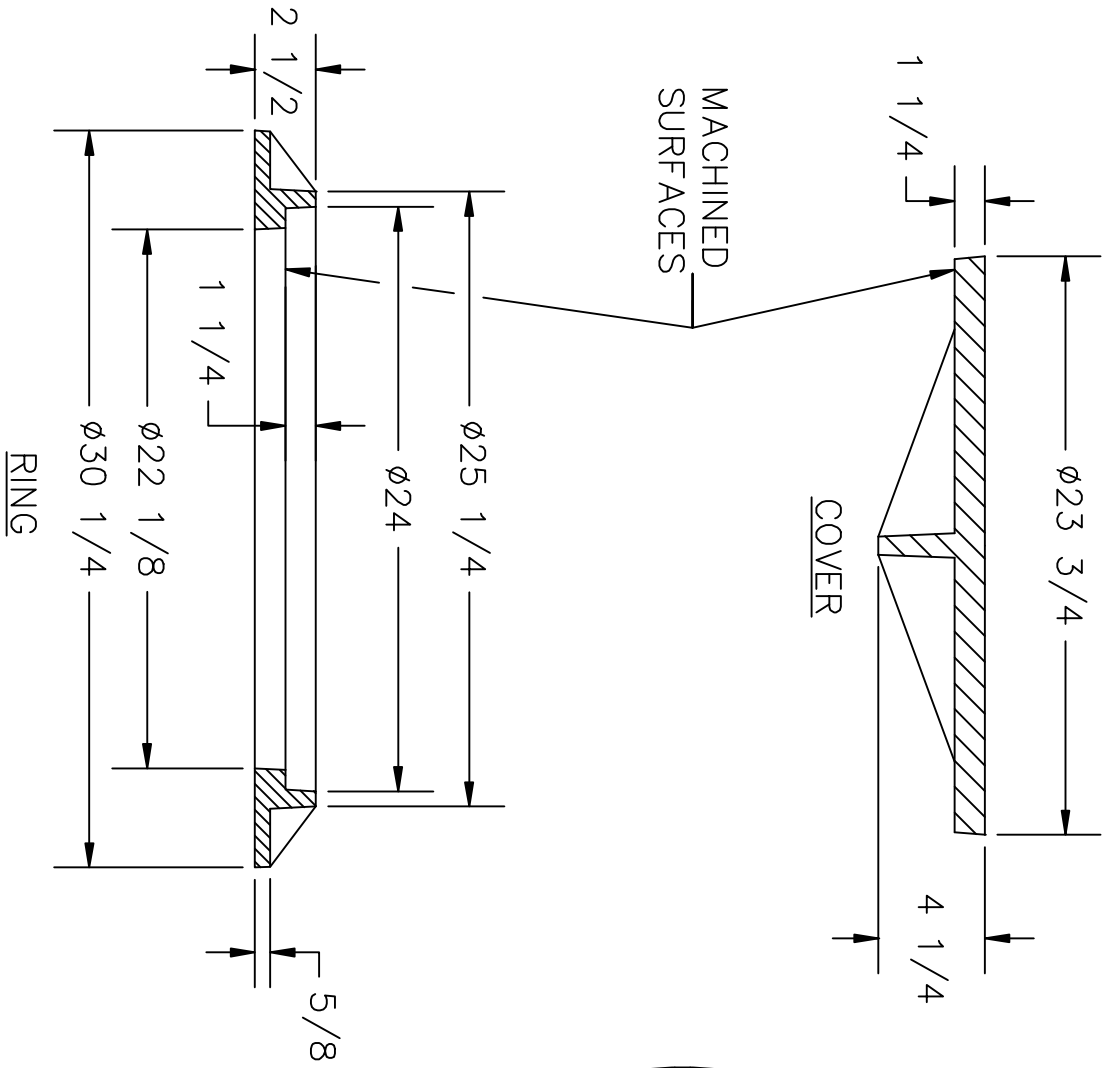


2 NON PENETRATING PICKHOLES



US FOUNDRY & MFG. CORP.
 8351 NW 93rd Street, Medley, FL 33166-2025
 Ph: 1-800-432-9709; Fax: 305-887-9429
 www.usfoundry.com
 © 2010 US Foundry & Mfg. Corp. All Rights Reserved

USF 580 Ring & CE Cover

LOAD CLASSIFICATION: Heavy Duty	
MATERIAL: ASTM-A48 GRAY IRON CLASS35B	
Ring No: 8020171	WGHT: 90
Cover No: 145	SCALE: 1/8"=1"
	DATE: 1-30-03
	DRW: EW/UJS
UNLESS OTHERWISE NOTED WEIGHT IS IN POUNDS AND APPROXIMATED	
REV:	DATE: REV BY: QUOTE#