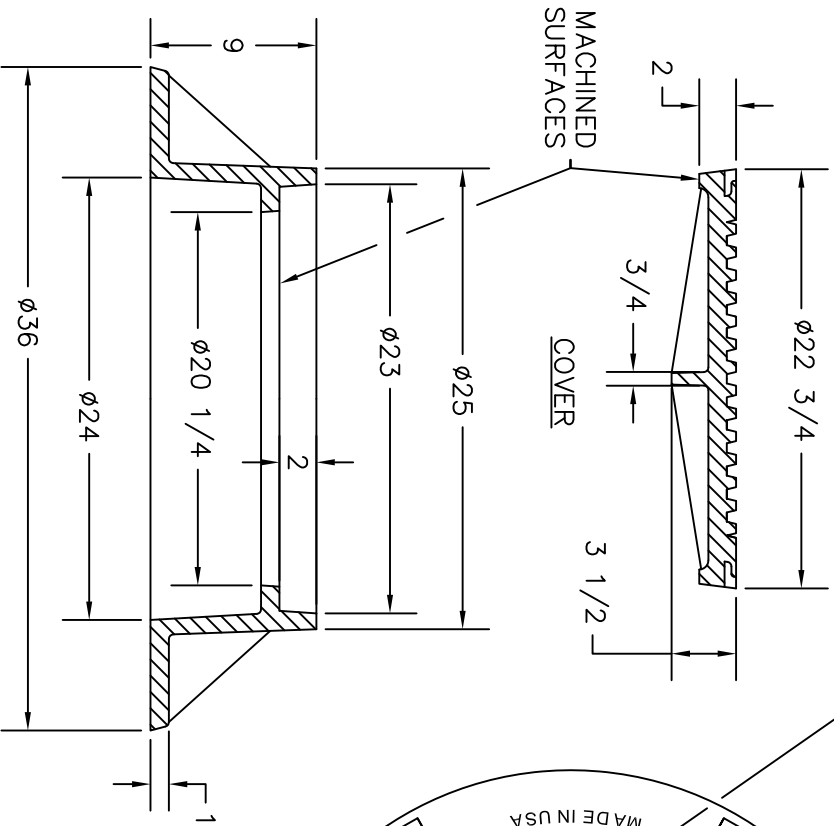
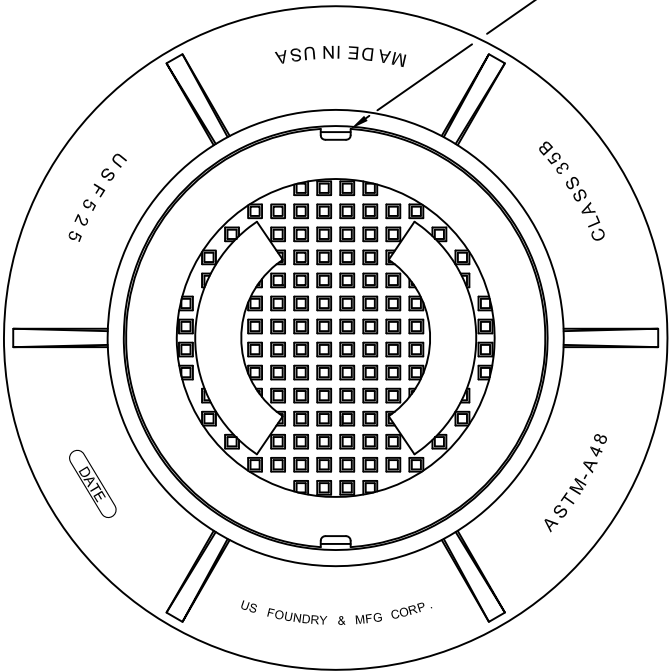


2-NON PENETRATING PICKHOLES



US FOUNDRY & MFG. CORP.
 8351 NW 93rd Street, Mearley, FL 33166-2025
 Ph: 1-800-443-9709; Fax: 305-887-9429
 www.usfoundry.com
 © 2010 US Foundry & Mfg. Corp. All Rights Reserved

USF 525 RING & B COVER

LOAD CLASSIFICATION: Heavy Duty

MATERIAL: ASTM-A48 GRAY IRON CLASS35B

Ring No: 8020158 WGT: 335 SCALE: 1/8"=1"

Cover No: 130 DATE: _____

CHK. BY: I/N

UNLESS OTHERWISE NOTED WEIGHT IS IN POUNDS AND APPROXIMATED
 REV. # DATE REV BY: QUOTE#