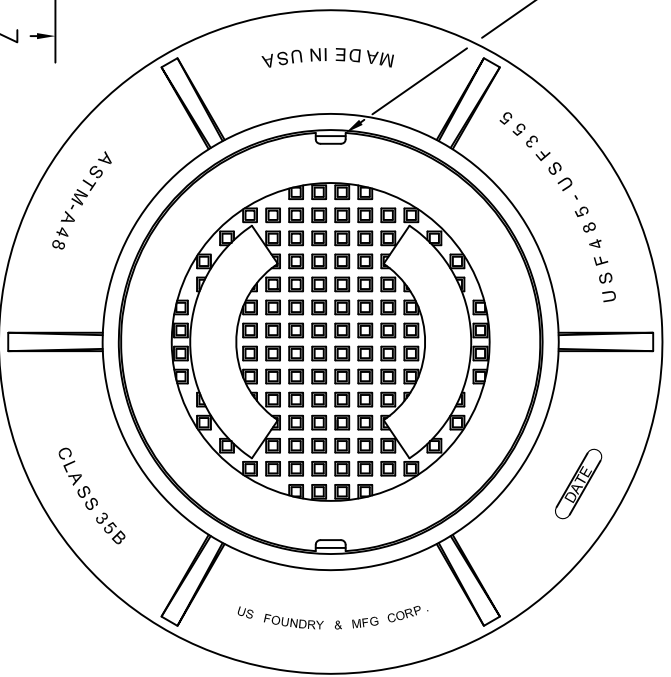
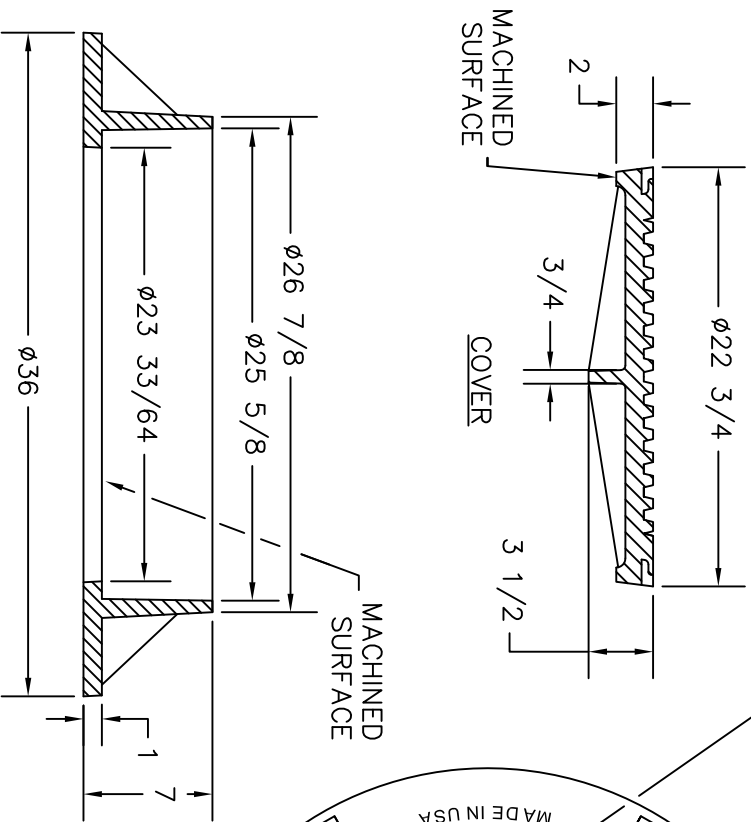


2-NON PENETRATING PICKHOLES



  
**US FOUNDRY & MFG. CORP.**  
 8351 NW 93rd Street, Mealey, FL 33166-2025  
 Ph: 1-800-443-9709; Fax: 305-887-9429  
 www.usfoundry.com  
 © 2010 US Foundry & Mfg. Corp. All Rights Reserved  
**USF 485 RING & B COVER**

LOAD CLASSIFICATION: Heavy Duty

MATERIAL: ASTM-A48 GRAY IRON	CLASS: 35B
Ring No: 8020155	WEIGHT: 240
Cover No: 130	SCALE: 1/8"=1"
	DATE:
	CHK. BY: I/N

UNLESS OTHERWISE NOTED WEIGHT IS IN POUNDS AND APPROXIMATED  
 REV. # DATE REV BY: QUOTE#

RING