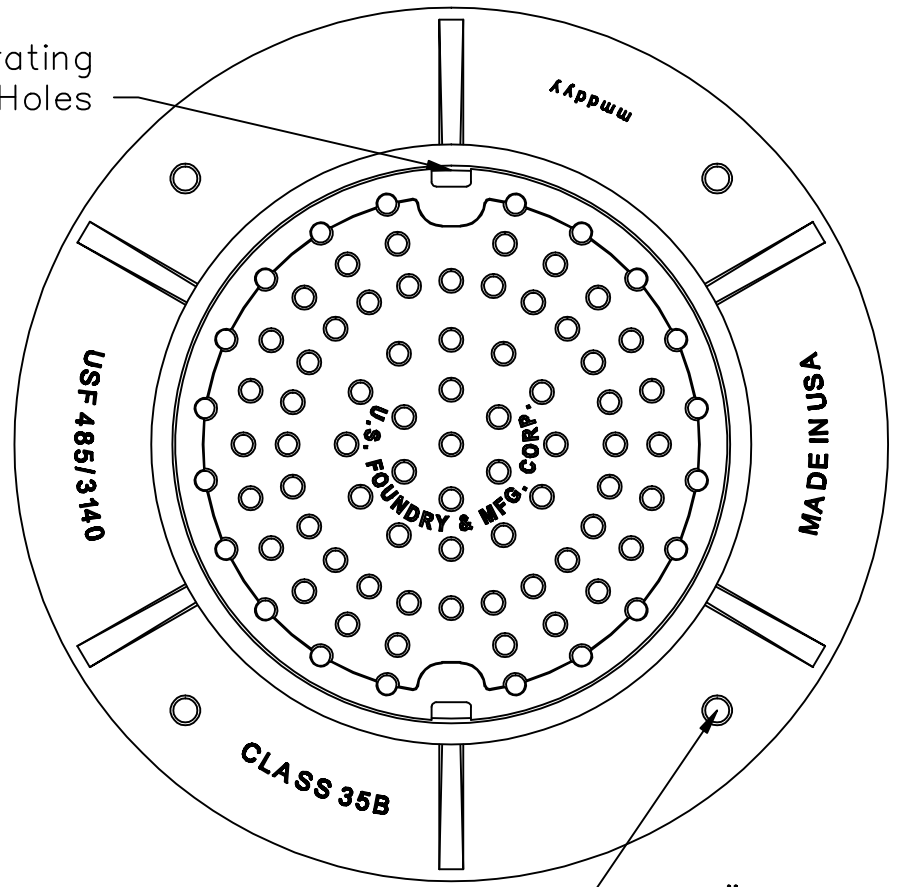
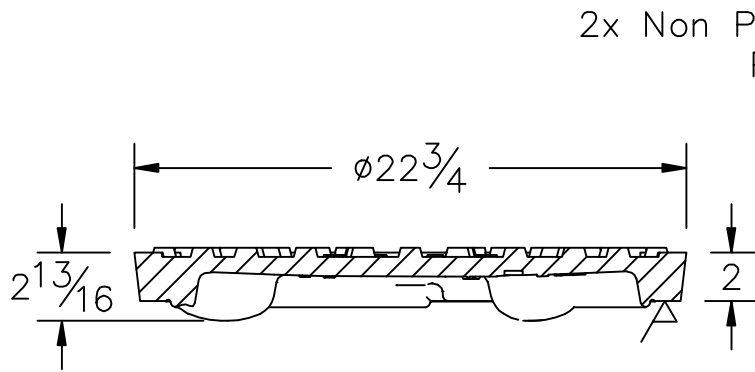
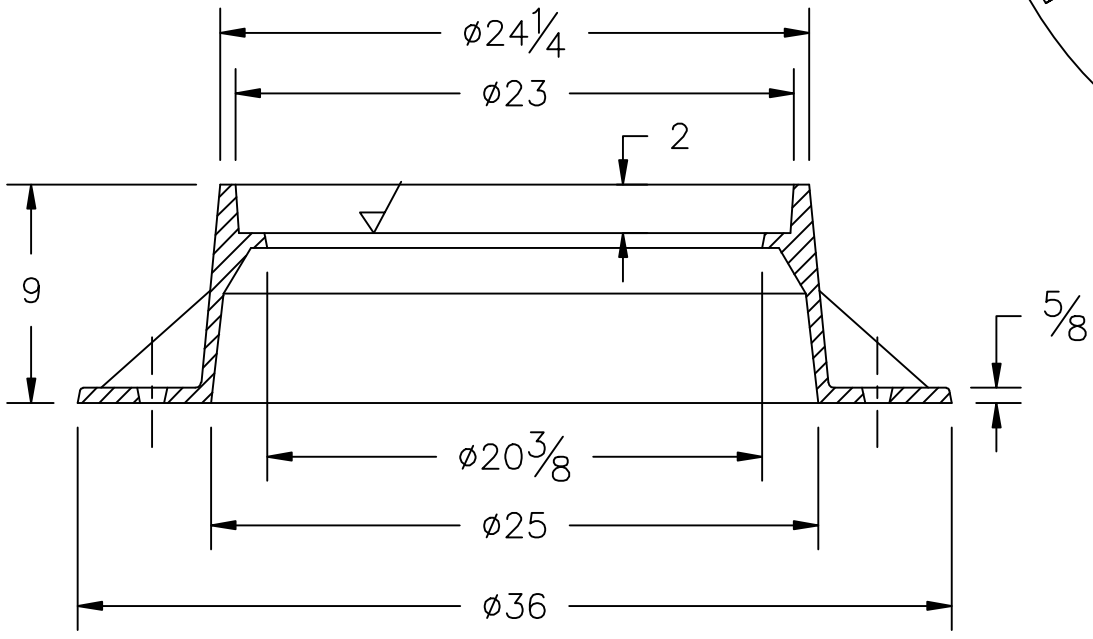


THE INFORMATION CONTAINED IN THIS DRAWING IS THE SOLE PROPERTY OF U.S. FOUNDRY & MANUFACTURING CORP. ANY REPRODUCTION IN PART OR AS A WHOLE WITHOUT THE WRITTEN PERMISSION OF U.S. FOUNDRY & MANUFACTURING CORP. IS PROHIBITED. U.S. FOUNDRY & MANUFACTURING CORP. RESERVES THE RIGHT TO MAKE MODIFICATIONS TO DESIGN WITHOUT PRIOR NOTICE. DRAWING IS UNCONTROLLED WHEN PRINTED. WEIGHTS AND DIMENSIONS ARE PROVIDED FOR REFERENCE ONLY. © 2015 US FOUNDRY AN EAGLE MANUFACTURING COMPANY



4x $\phi 1$ " Anchor Holes



US FOUNDRY
AN EAGLE MANUFACTURING COMPANY

8351 NW 93rd Street
Medley, FL, 33166-2025
ph: 1-800-432-9709
fax: 305-887-9429
www.usfoundry.com
© 2015 All Rights Reserved

USF 485 Ring & A-1 Cover			
LOAD CLASSIFICATION: Heavy Duty			
MATERIAL: ASTM-A48 GRAY IRON CLASS35B		REF:	
Ring No:	8020155	Cover No:	
		DATE:	6/1/2015
		DWN. BY:	ULS
REV: 0	DATE:	REV BY:	QUOTE#