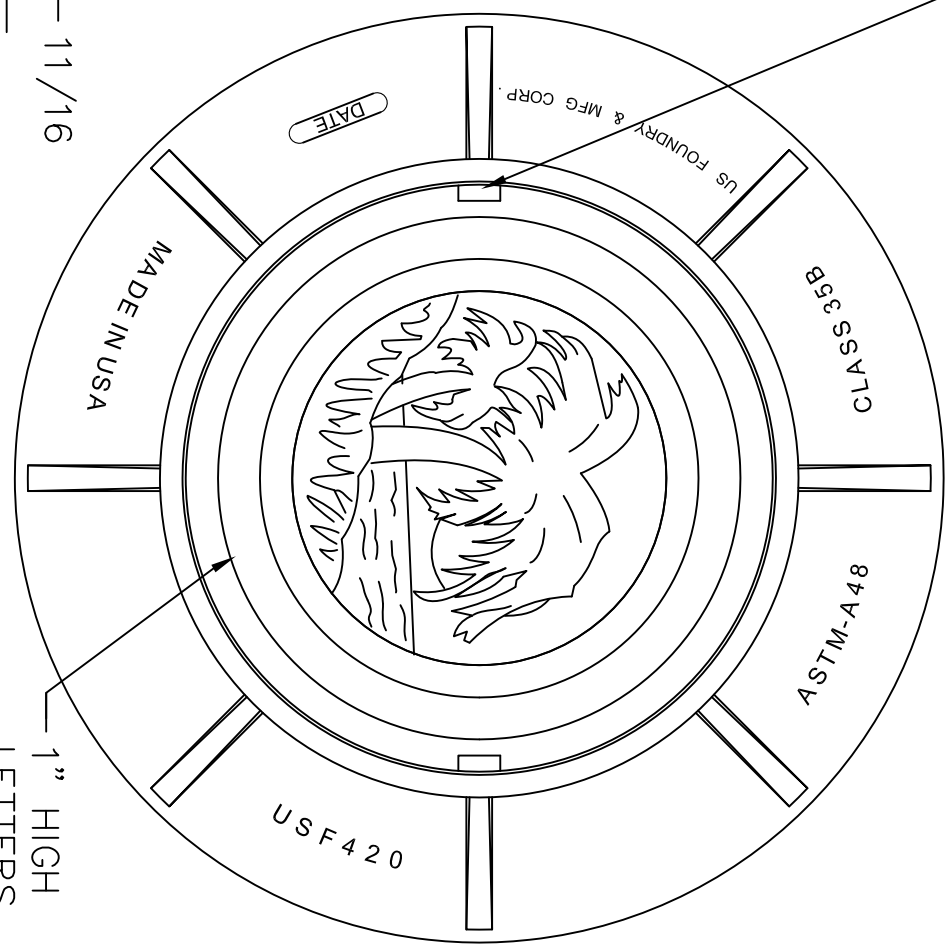
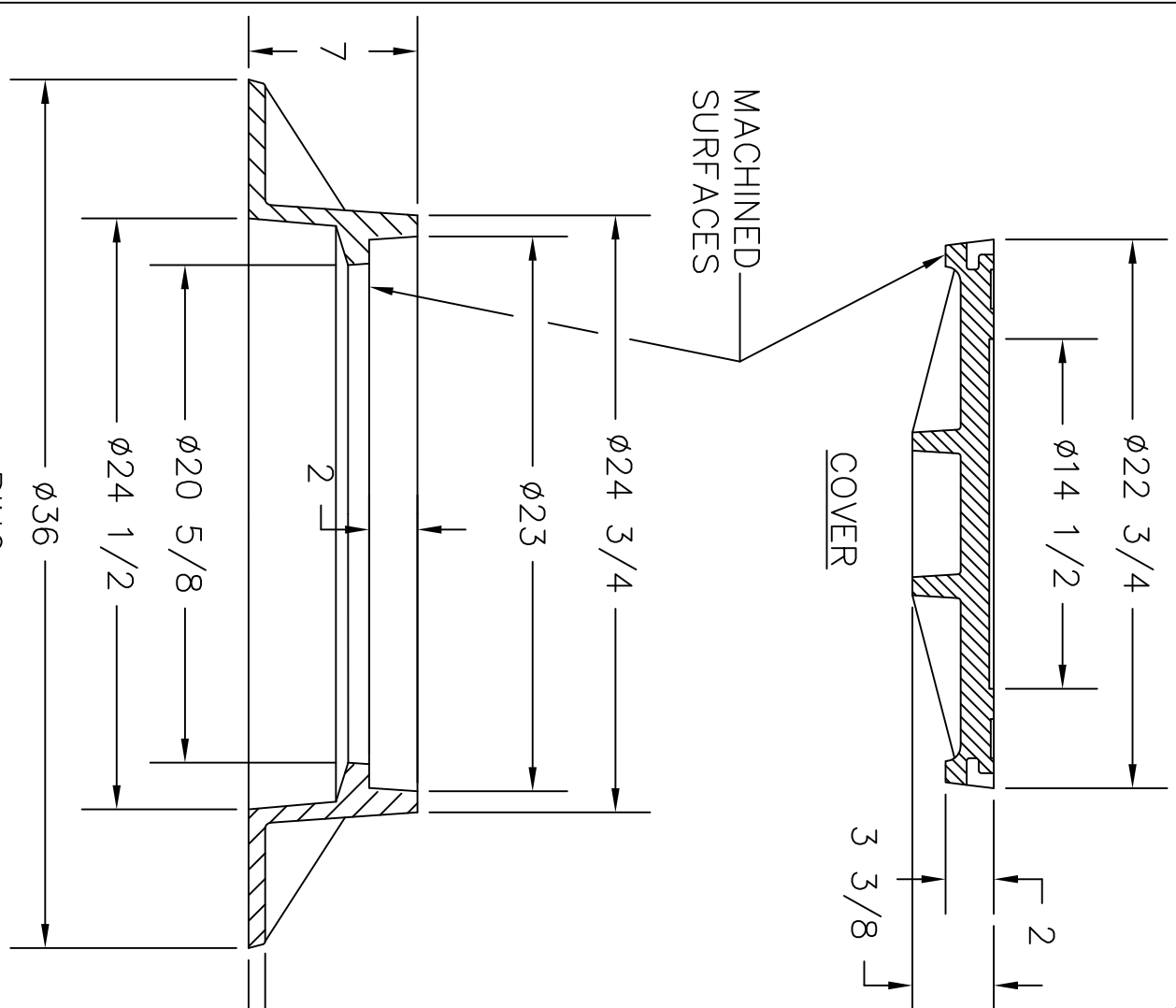


(2) NON-PENETRATING PICKHOLES
SEE DWG # 1005-1



US FOUNDRY & MFG. CORP.
8351 NW 93rd Street, Medley, FL 33166-2025
ph: 1-800-432-9709; fax: 305-887-9429
www.usfoundry.com

© 2010 US Foundry & Mfg. Corp. All Rights Reserved

USF 420 RING & KD COVER

LOAD CLASSIFICATION: Heavy Duty	
MATERIAL: ASTM-A48 GRAY IRON CLASS35B	
Ring No: 8020030	WGHT: 240
Cover No: 165	SCALE: 1/8"=1"
	DATE:
	DWN. BY: PCS

UNLESS OTHERWISE NOTED WEIGHT IS IN POUNDS AND APPROXIMATED	
REV:	DATE:
	REV BY:
	QUOTE#: