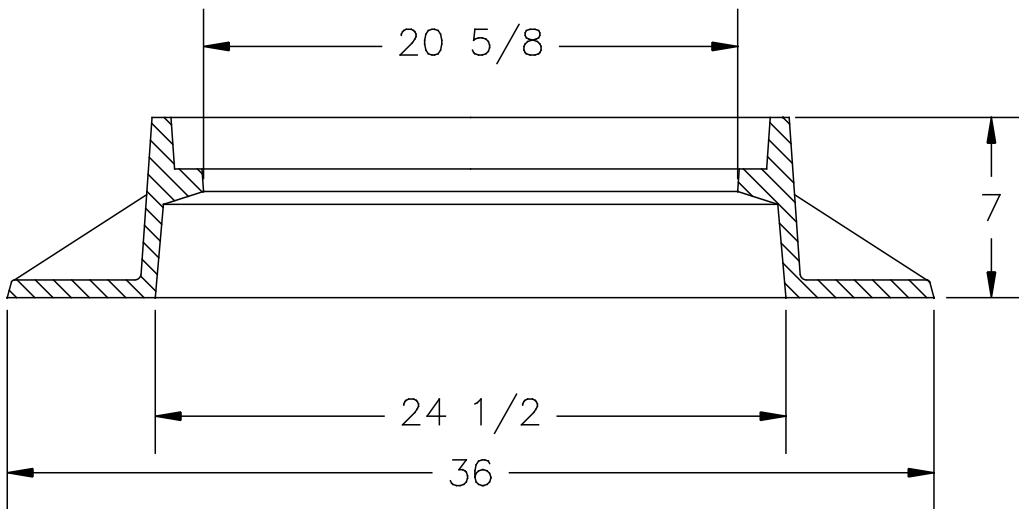
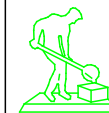


(2) NON-PENETRATING PICKHOLES



NOTES:

- 1- MATERIAL: ASTM-A48 CLASS 35B GRAY IRON
- 2- RING WT: 240 LBS. APP.
- 3- COVER WT: 165 LBS. APP.



U.S. FOUNDRY & MFG. CORP.  
MEDLEY, FLORIDA

USF 420 RING & DX COVER

DWN. BY: DBB	SCALE: 1/8"=1"	DATE: 2/2/98
CHK. BY:	DWG. NO: A3999	REV: