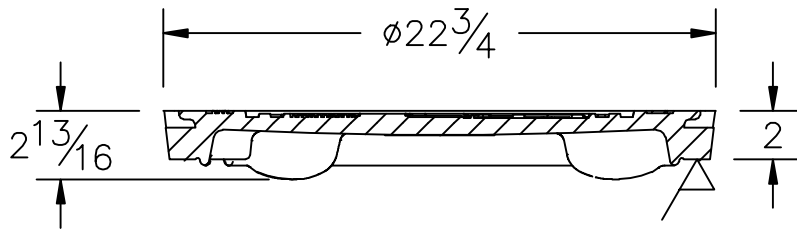
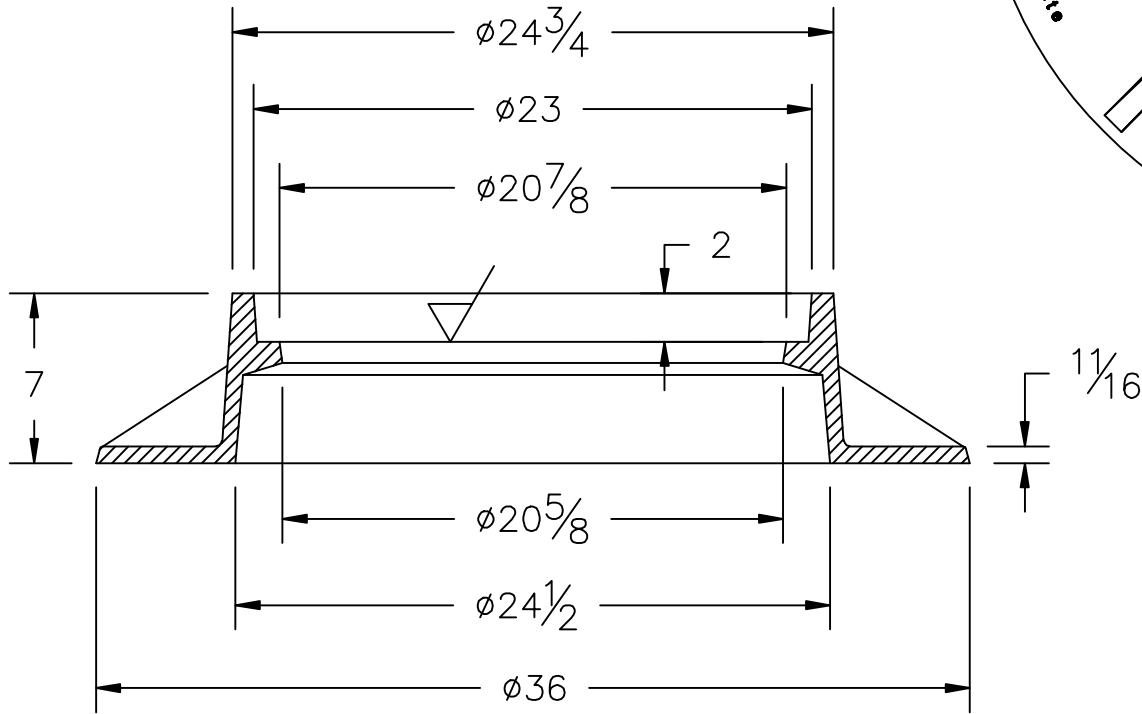
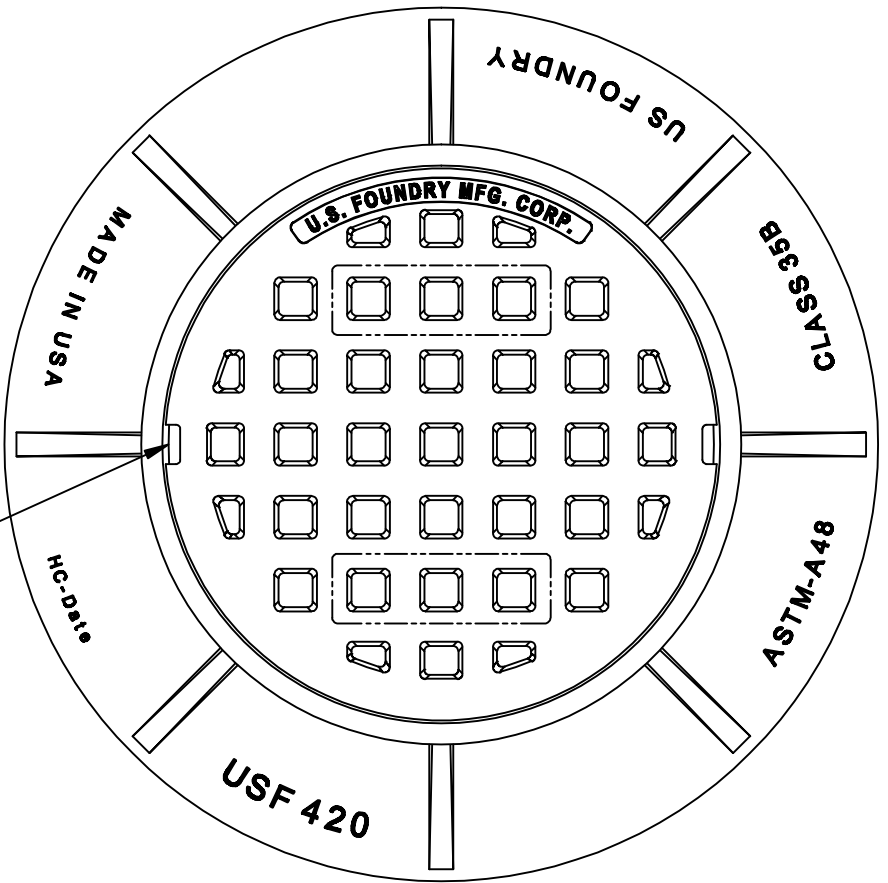


THE INFORMATION CONTAINED IN THIS DRAWING IS THE SOLE PROPERTY OF U.S. FOUNDRY & MANUFACTURING CORP. ANY REPRODUCTION IN PART OR AS A WHOLE WITHOUT THE WRITTEN PERMISSION OF U.S. FOUNDRY & MANUFACTURING CORP. IS PROHIBITED. U.S. FOUNDRY & MANUFACTURING CORP. RESERVES THE RIGHT TO MAKE MODIFICATIONS TO DESIGN WITHOUT PRIOR NOTICE. DRAWING IS UNCONTROLLED WHEN PRINTED. WEIGHTS AND DIMENSIONS ARE PROVIDED FOR REFERENCE ONLY. © 2015 US FOUNDRY AN EAGLE MANUFACTURING COMPANY



2x Non Penetrating Pick Holes



 US FOUNDRY AN EAGLE MANUFACTURING COMPANY		8351 NW 93rd Street Medley, FL, 33166-2025 ph: 1-800-432-9709 fax: 305-887-9429 www.usfoundry.com	
		© 2015 All Rights Reserved	
USF 420 Ring & C-1 Cover			
LOAD CLASSIFICATION: Heavy Duty			
MATERIAL: ASTM-A48 GRAY IRON CLASS35B		REF:	
Ring No:	8020030	DATE:	6/4/2015
Cover No:		DWN. BY:	ULS
REV: 0	DATE:	REV BY:	QUOTE#