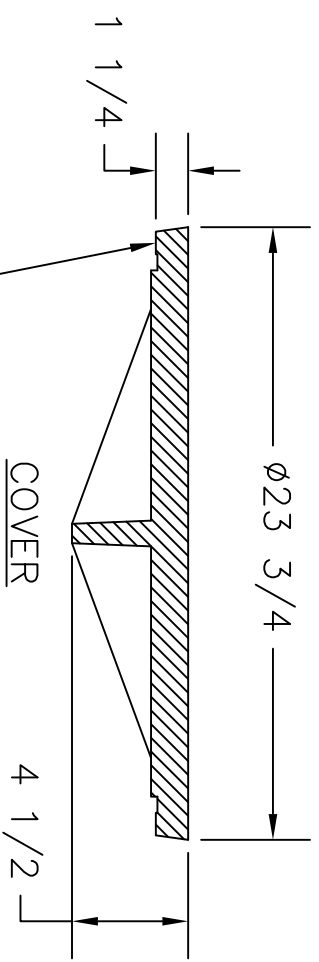
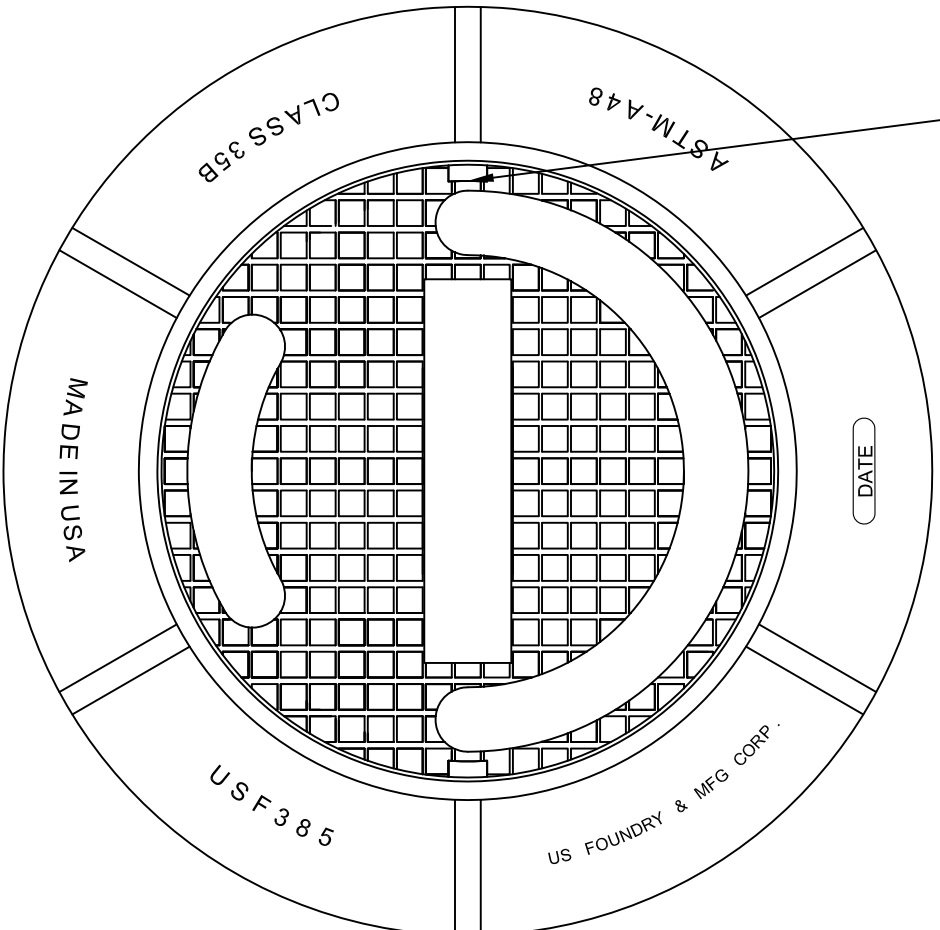
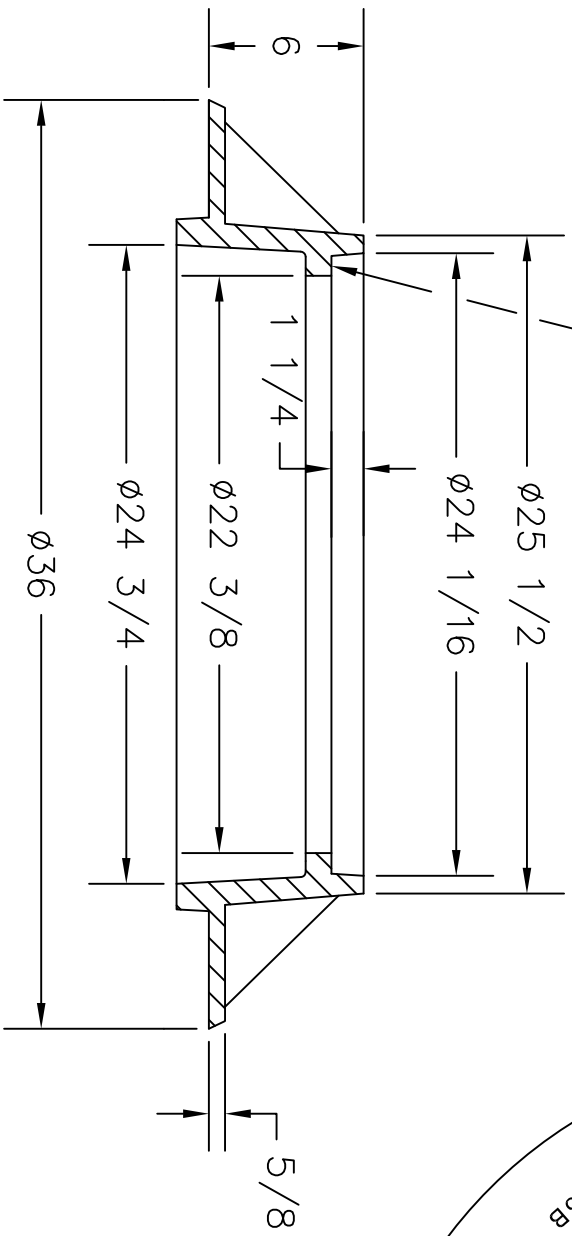


2 NON-PENETRATING PICKHOLES



MACHINED SURFACE



US FOUNDRY & MFG. CORP.
 8351 NW 93rd Street, Medley, FL 33166-2025
 ph: 1-800-432-9709; fax: 305-887-9429
 www.usfoundry.com

USF 385 RING & W COVER
 (TDOT No. 3)

LOAD CLASSIFICATION: Heavy Duty	
MATERIAL: ASTM-A48 GRAY IRON CLASS 35B	
Ring No: 8020148	WGT: 220
Cover No: 165	SCALE: 1/8"=1"
DATE:	DATE:
REV: DATE:	REV BY: QUOTE#

UNLESS OTHERWISE NOTED WEIGHT IS IN POUNDS AND APPROXIMATED