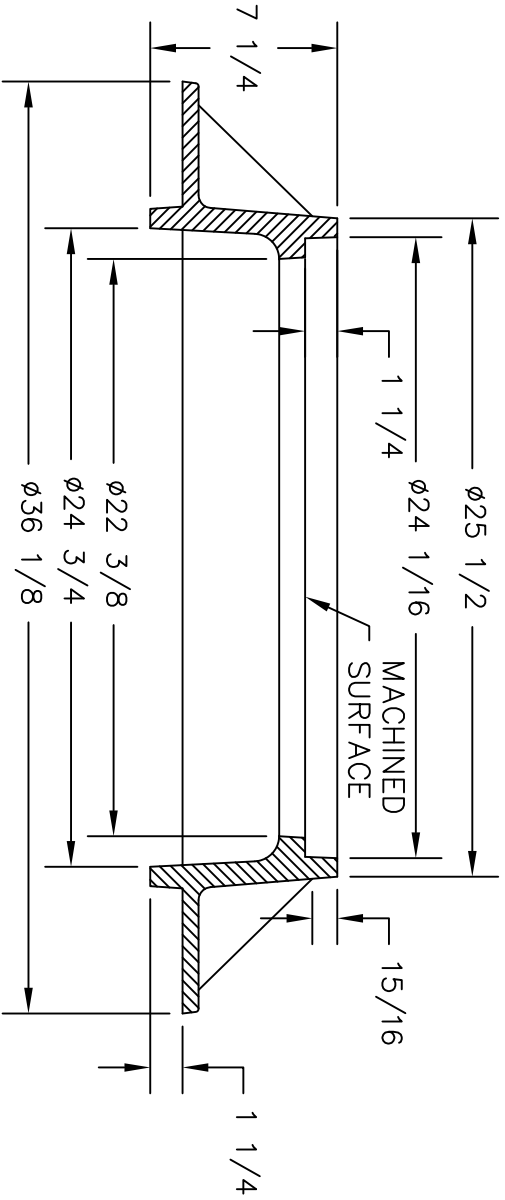
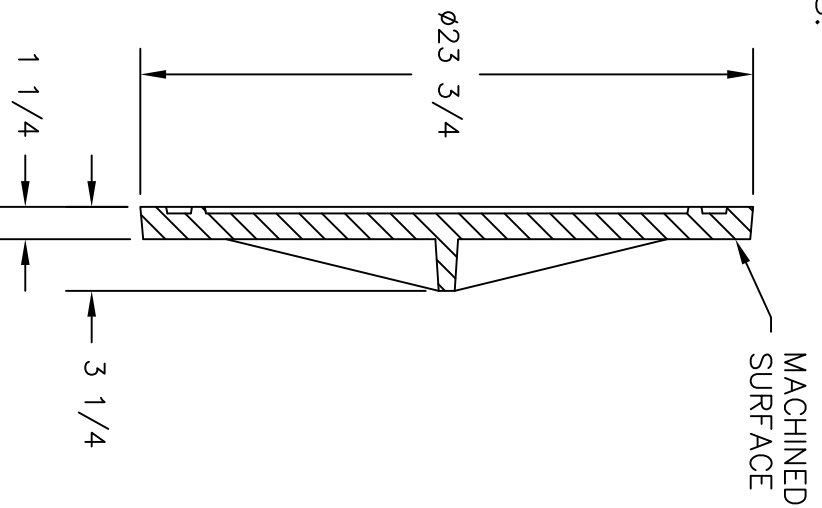


2-NON PENETRATING PICKHOLES.



**US FOUNDRY & MFG. CORP.**  
 8351 NW 93rd Street, Medley, FL 33166-2025  
 ph: 1-800-432-9709; fax: 305-887-9429  
 www.usfoundry.com  
 © 2010 US Foundry & Mfg. Corp. All Rights Reserved

**USF 385 RING & OD COVER**  
 (E DRAG)

LOAD CLASSIFICATION: Heavy Duty	
MATERIAL: ASTM-A48 GRAY IRON CLASS35B	
Ring No: 8020148	WGHT: 220
Cover No: 140	SCALE: 1/8"=1"
DATE:	DATE:
REV:	REV BY:
DATE:	QUOTE#

UNLESS OTHERWISE NOTED WEIGHTS IN POUNDS AND APPROXIMATED