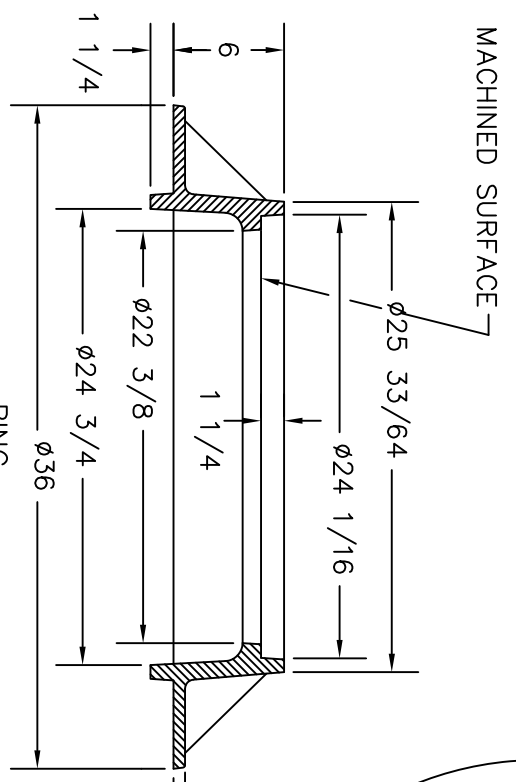


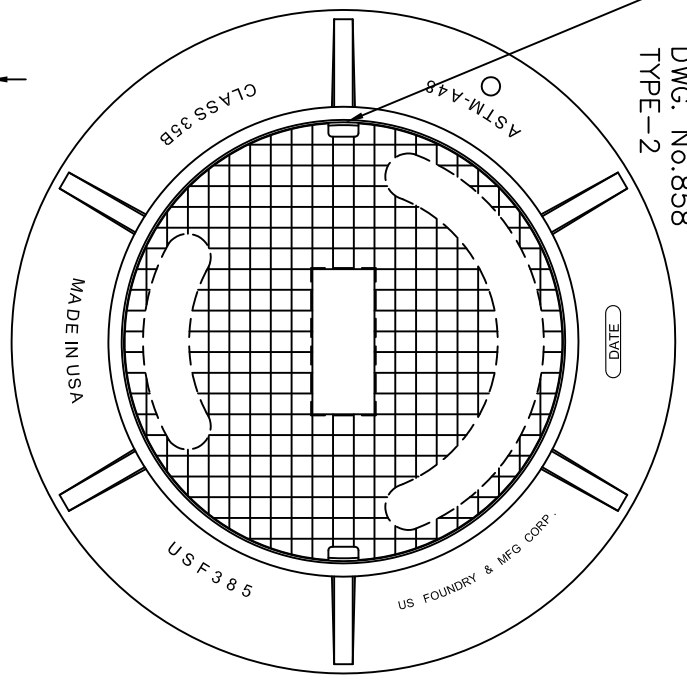
COVER



MACHINED SURFACE

RING

(2) - NON-PENETRATING
PICKHOLES. SEE
DWG. No. 858
TYPE-2



US FOUNDRY & MFG. CORP.
8351 NW 93rd Street, Meeley, FL 33166-2025
ph: 1-800-643-9709; fax: 305-887-9429
www.usfoundry.com
© 2010 US Foundry & Mfg. Corp. All Rights Reserved

USF 385 RING & J COVER

LOAD CLASSIFICATION: Heavy Duty

MATERIAL: ASTM-A48 GRAY IRON	CLASS: 385B
Ring No: 8020148	WGT: 220
Cover No: 150	SCALE: 1/8"=1"
DATE:	DATE:
DATE:	DATE:

UNLESS OTHERWISE NOTED WEIGHT IS IN POUNDS AND APPROXIMATED

REV: DATE: REV BY: QUOTE#