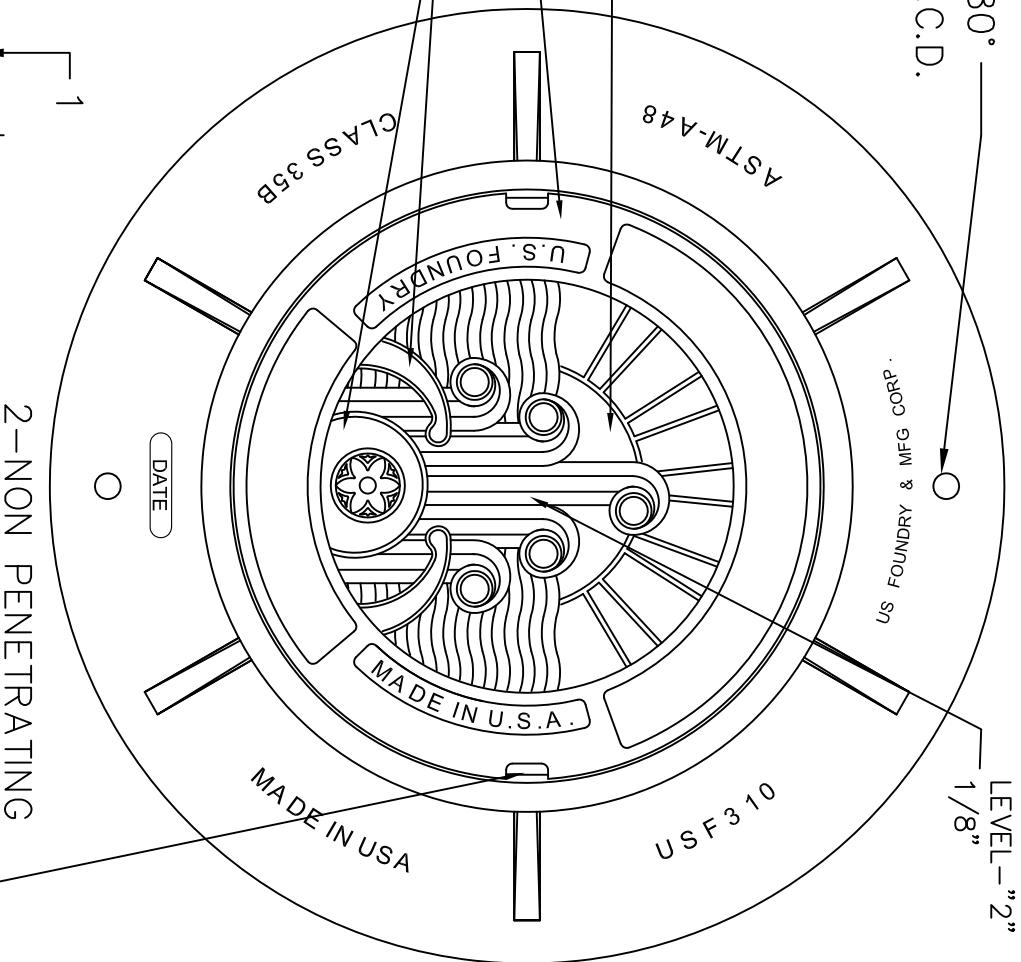
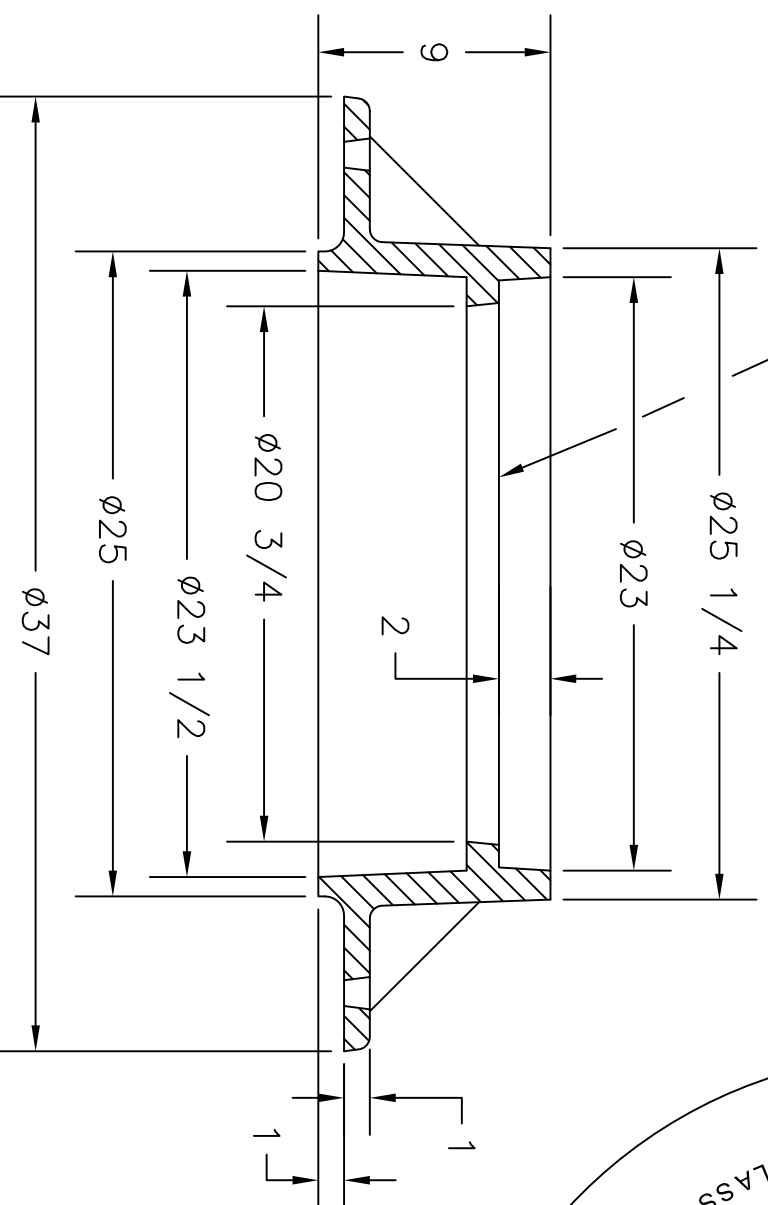
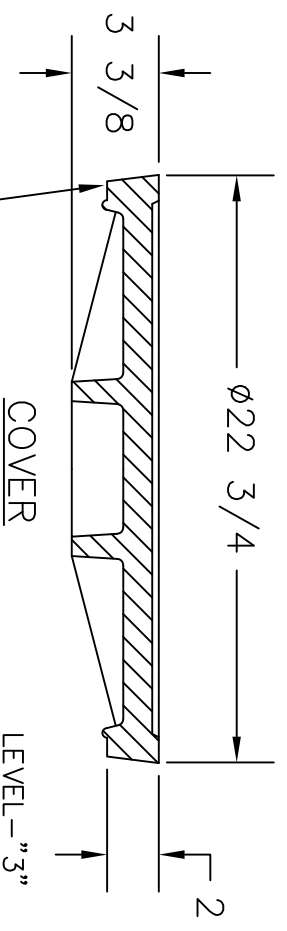


(2) - 1" DIA. BOLT HOLES 180° APART, ON 3 1/2" B.C.D.



US FOUNDRY & MFG. CORP.
 8351 NW 93rd Street, Medley, FL 33166-2025
 ph: 1-800-432-9709; fax: 305-887-9429
 www.usfoundry.com
 © 2010 US Foundry & Mfg. Corp. All Rights Reserved

USF 310 RING & USF OE COVER
 (A DRAG)

LOAD CLASSIFICATION: Heavy Duty	
MATERIAL: ASTM-A48 GRAY IRON CLASS35B	
Ring No: 8020445	WGHT: 365
Cover No: 150	SCALE: 1/8"=1"
DATE:	DATE:
DMN. BY:	PLS/OD
REV:	DATE:
REV BY:	QUOTE#

UNLESS OTHERWISE NOTED WEIGHT IS IN POUNDS AND APPROXIMATED