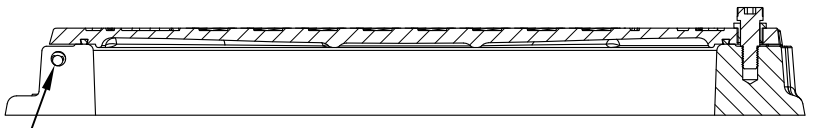
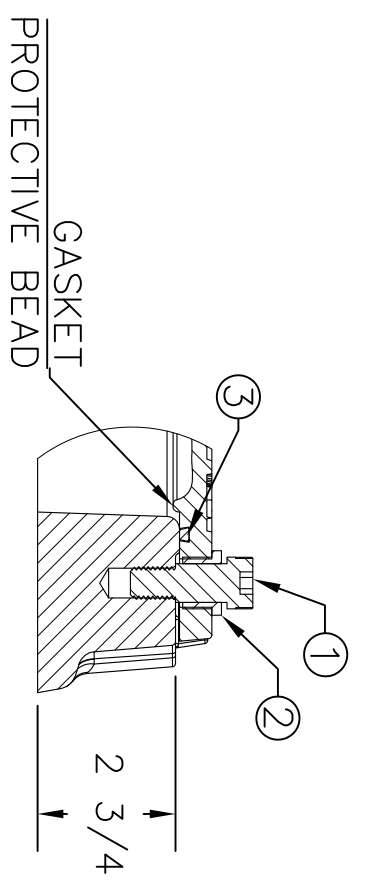


(4) -  $\phi 1"$  ANCHOR HOLES

(1)  $\phi 3/8"$ -16 x 1.75 SS Hex Head Bolt & Nut

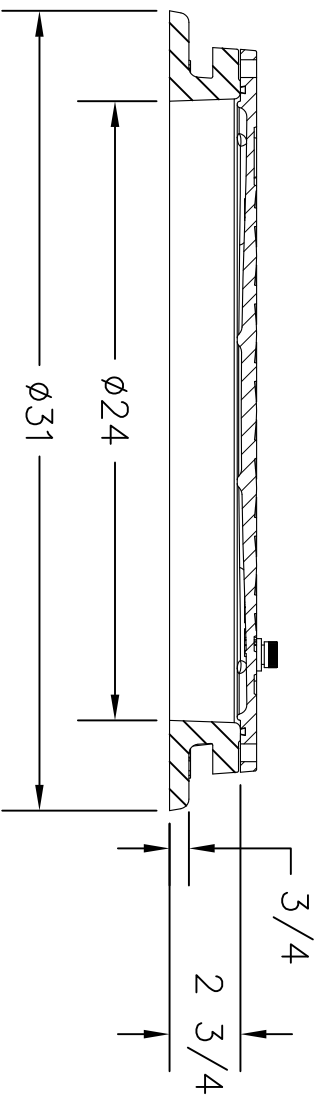



$\phi 9/16"$  HOLE FOR LOCK DEVICE



NOTE:

1. (1) SS Shoulder Bolt
2. (1) Bronze Bushing
3. (3) EPDM Gasket
4. Open Cover conditions:
  - 4.1. When fully open cover sits at  $\sim 135^\circ$  from closed position



 <p><b>US FOUNDRY &amp; MFG. CORP.</b>        8351 NW 93rd Street, Medley, FL 33166-2025        ph: 1-800-432-9709; fax: 305-887-9429        www.usfoundry.com</p>	
<p>© 2010 US Foundry &amp; Mfg. Corp. All Rights Reserved</p>	
<p><b>USF 275 RING &amp; RO COVER</b></p>	
LOAD CLASSIFICATION:	Light Duty
MATERIAL:	ASTM-A48 GRAY IRON CLASS35B
Ring No:	8021273
WGT:	96
Scale:	1/8"=1"
Cover No:	62
DATE:	
OWN. BY:	ULS
REV:	DATE:
REV BY:	QUOTE#

UNLESS OTHERWISE NOTED WEIGHTS IN POUNDS AND APPROXIMATED