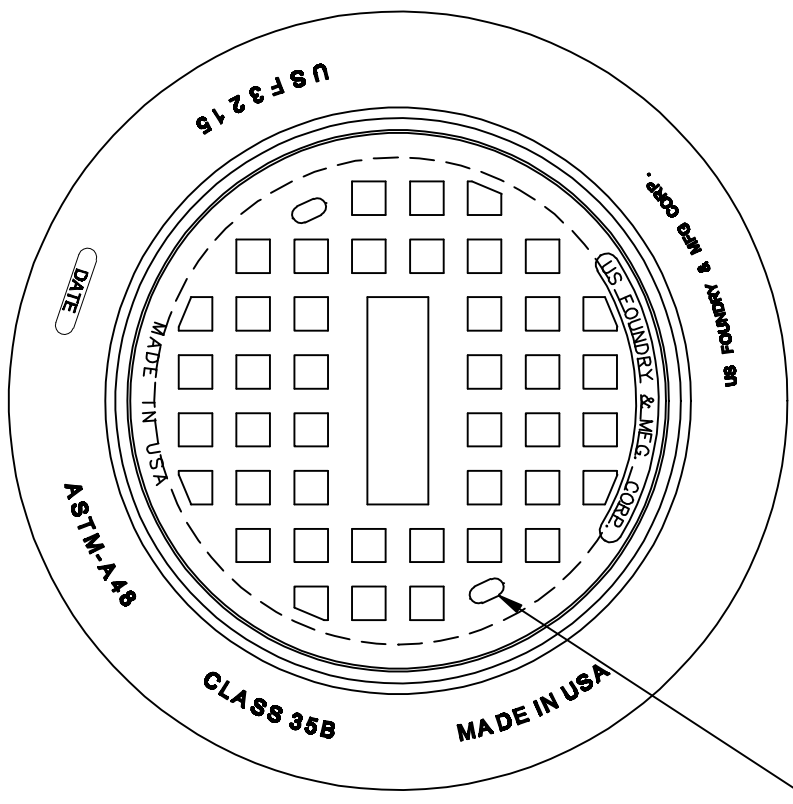
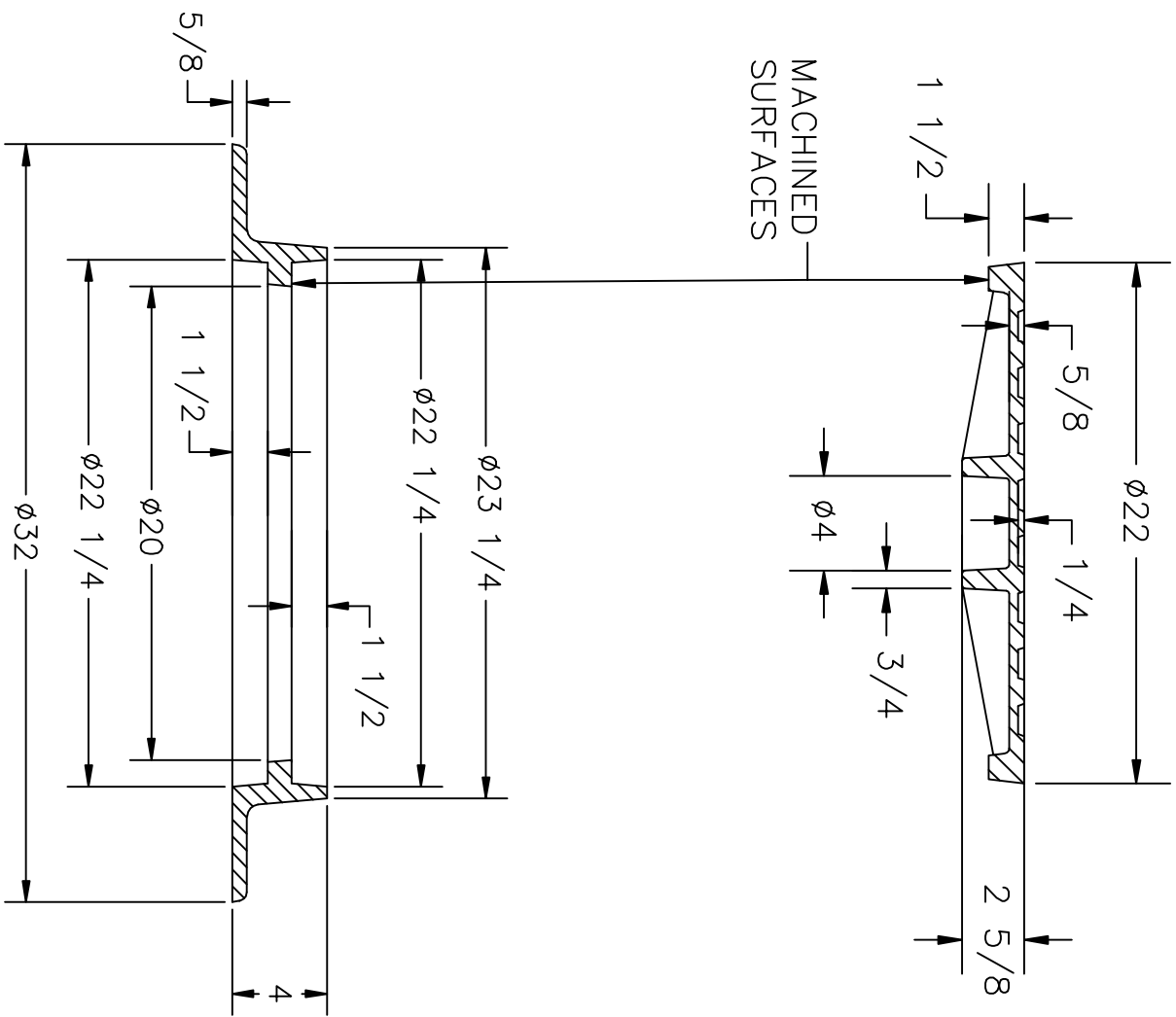


(2) - PENETRATING PICKHOLE -
3/4 X 1 1/2



US FOUNDRY & MFG. CORP.
8351 NW 93rd Street, Medley, FL 33166-2025
Ph: 1-800-432-9709; Fax: 305-887-9429
www.usfoundry.com
© 2010 US Foundry & Mfg. Corp. All Rights Reserved

USF 270 RING & LN COVER

LOAD CLASSIFICATION: Heavy Duty	
MATERIAL: ASTM-A48 GRAY IRON CLASS35B	
Ring No: 8020751	WGT: 127
Cover No: 105	SCALE: 1/8"=1"
	DATE: 07-24-08
	DRN: BLS/OD
UNLESS OTHERWISE NOTED WEIGHT IS IN POUNDS AND APPROXIMATED	
REV: DATE: REV BY: QUOTE#	