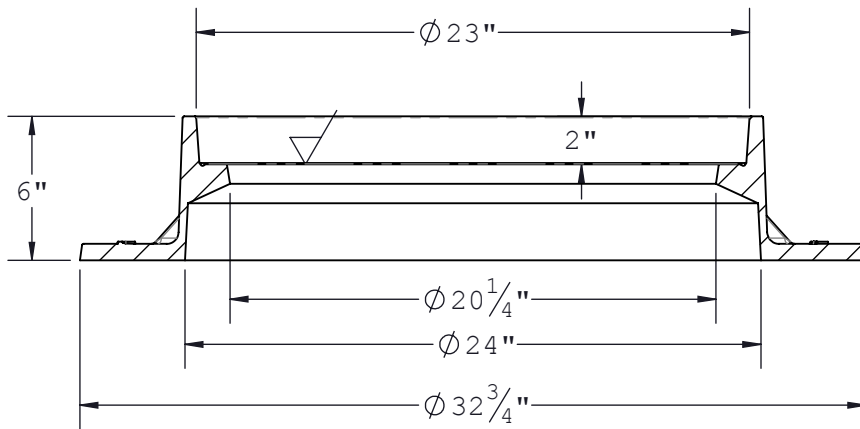
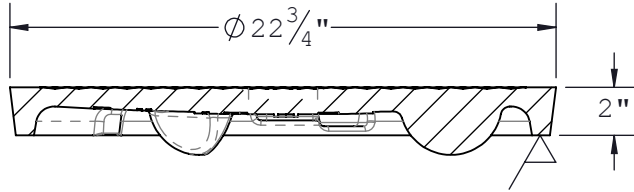
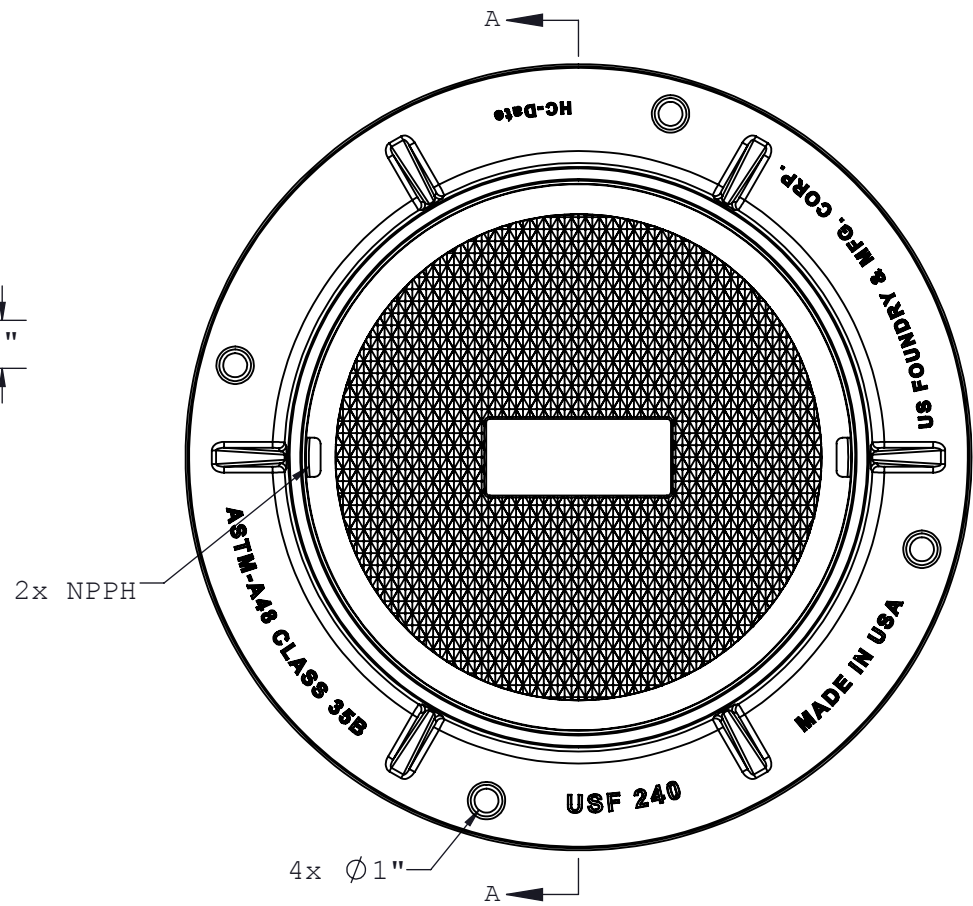


THE INFORMATION CONTAINED IN THIS DRAWING IS THE SOLE PROPERTY OF U.S. FOUNDRY & MANUFACTURING CORP. ANY REPRODUCTION IN PART OR AS A WHOLE WITHOUT THE WRITTEN PERMISSION OF U.S. FOUNDRY & MANUFACTURING CORP. IS PROHIBITED. U.S. FOUNDRY & MANUFACTURING CORP. RESERVES THE RIGHT TO MAKE MODIFICATIONS TO DESIGN WITHOUT PRIOR NOTICE. DRAWING IS UNCONTROLLED WHEN PRINTED. WEIGHTS AND DIMENSIONS ARE PROVIDED FOR REFERENCE ONLY © 2016 US FOUNDRY AN EAGLE MANUFACTURING COMPANY



SECTION A-A



8351 NW 93rd Street
 Medley, FL, 33166-2025
 ph: 1-800-432-9709
 fax: 305-887-9429
 www.usfoundry.com

US FOUNDRY
 AN EAGLE MANUFACTURING COMPANY © 2016 All Rights Reserved

USF 240 Ring & D Cover

LOAD CLASSIFICATION:		Heavy Duty
MATERIAL:		Gray Cast Iron ASTM-A48 Class 35B
ITEM:	BAAN #	DRAWING
		DATE
		5/23/2016
		DRAWN BY
		ULS
REV	DATE	REV BY
0		
		QUOTE #

Customer Drawing