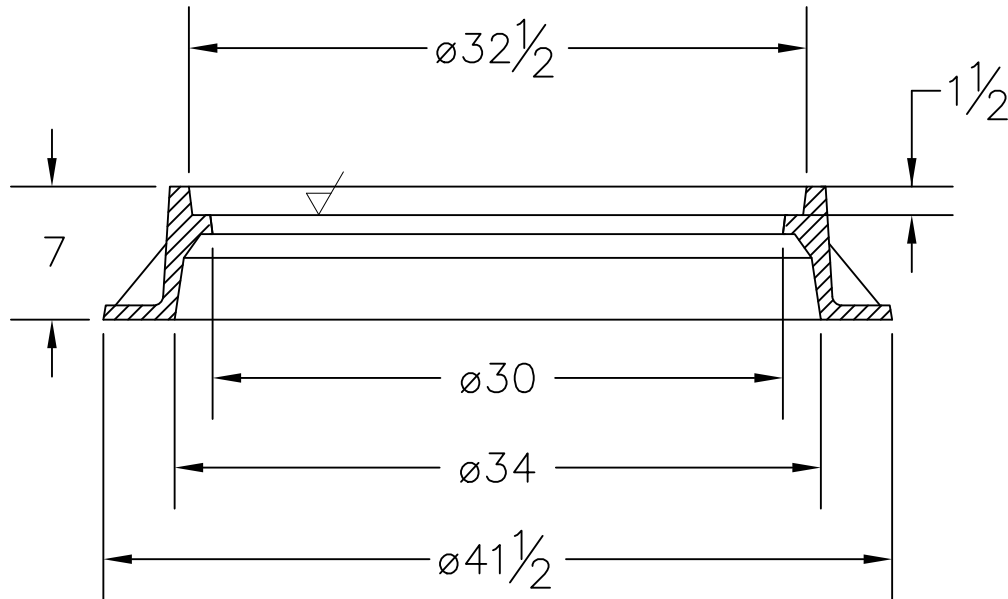


(2) NON-PENETRATING PICKHOLES



 US FOUNDRY & MFG. CORP. 8351 NW 93rd Street, Medley, FL 33166-2025 ph: 1-800-432-9709; fax: 305-887-9429 www.usfoundry.com © 2013 US Foundry & Mfg. Corp. All Rights Reserved			
USF 230 Ring & EJ Cover			
LOAD CLASSIFICATION: Heavy Duty			
MATERIAL: ASTM-A48 GRAY IRON CLASS 35B			
Ring No:	8020028	SCALE:	
Cover No:		DATE: 11/12/2013	
		OWN. BY: AB	
REV: 0	DATE:	REV BY:	QUOTE#