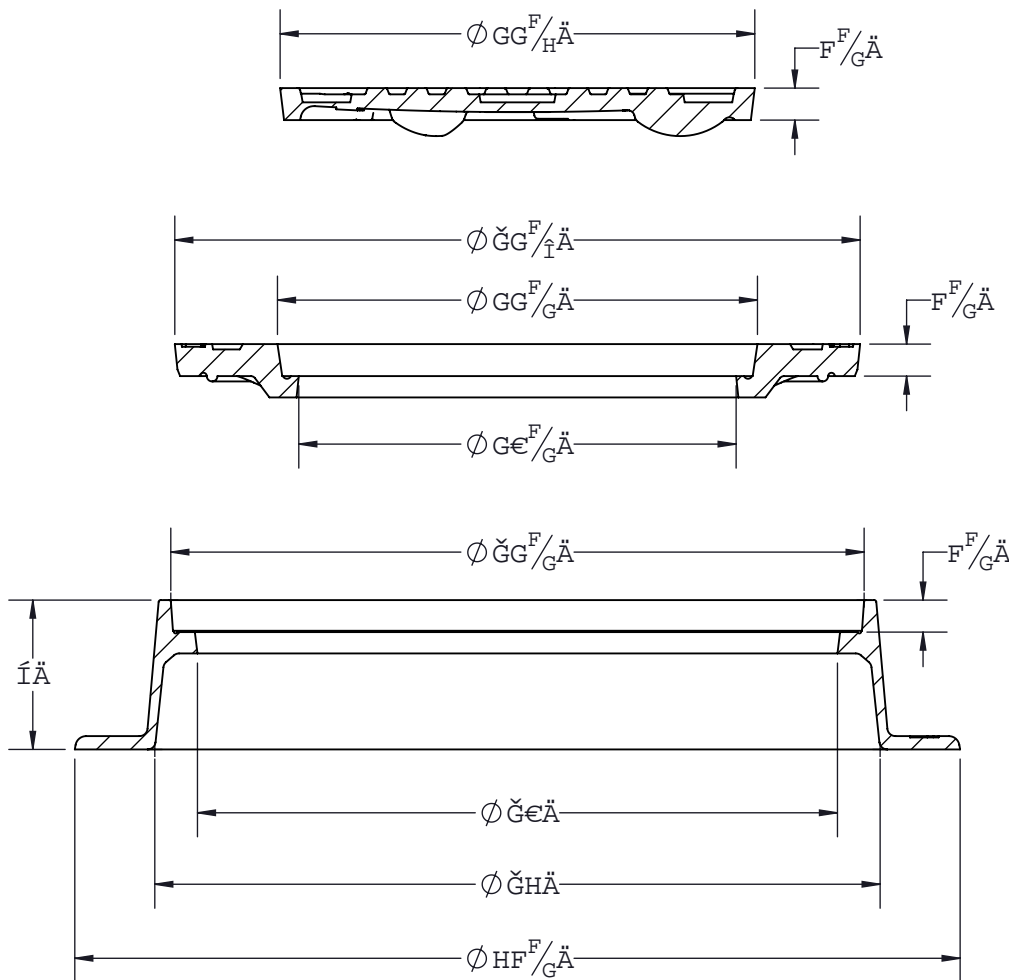
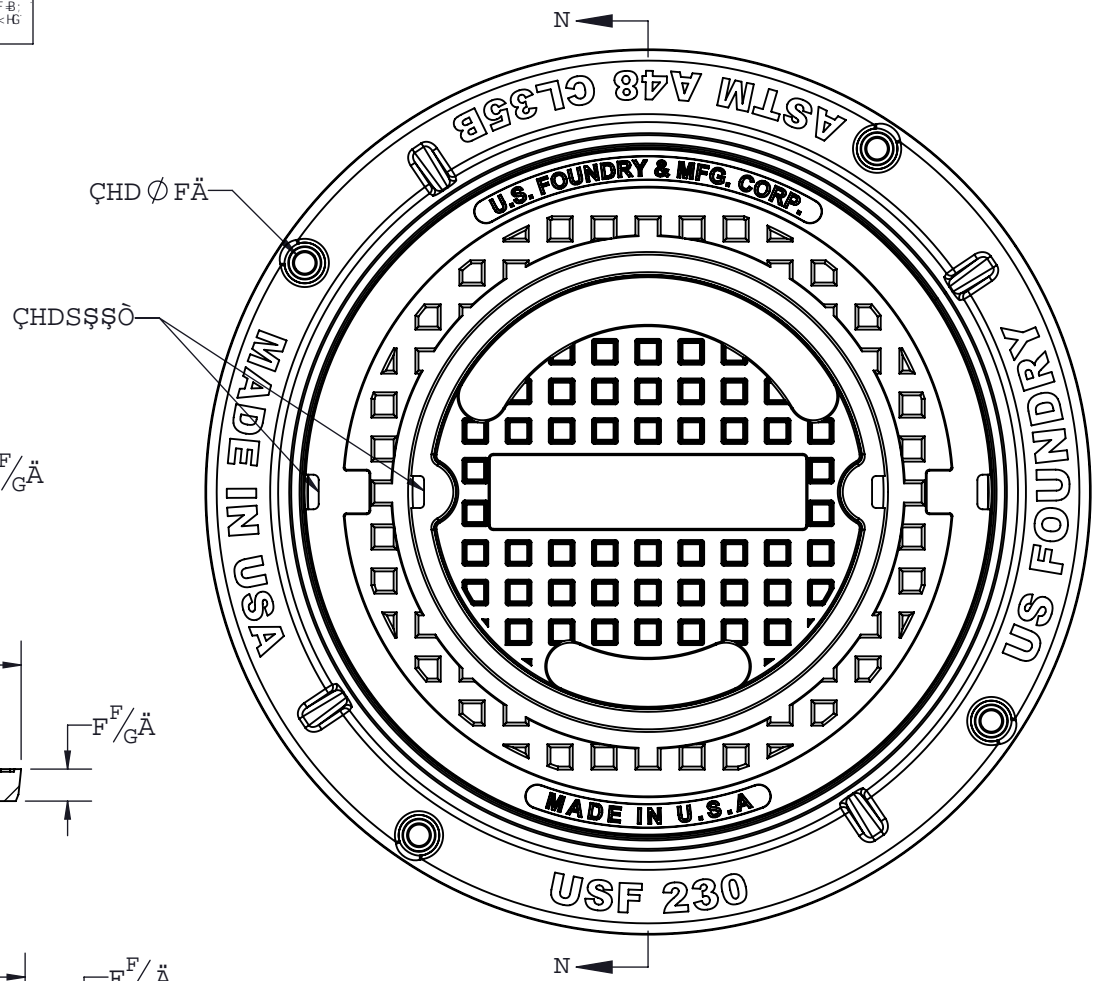


H:9B:CFA5HC B7CBH5B98 B H:68F5K B: 4GH:9GC@DFCD9FHC: 1'G:C1B8FM' A5BI:57HF-B: 7CFD'5BMF9DFC8I7HC B 4D5FH
 CF5G5K <C@K H:C1HH:9K F#H9B D9FA 4GCBC: 1'G:C1B8FM' A5BI:57HF-B: 7CFD'6DFC<6+98'1'G:C1B8FM' A5BI:57HF-B:
 7CFD'F90FJ 9GH:9F< H:C A579A C8=75HCBGHC 89G= B K H:C1HDFCFBCH7 9'8F5K B: 4I B7CBHC@98 K <9B DF4H98'K 9= <HG
 5B8 8A 9BGCBG5F9DFCJ 498:CF F9.9F9B79CB@M# 88% 1 G:C1B8FM5B 95: @A5BI:57HF-B: 7CAD5BM



UÓÓÚØŠŠÁNĚN



US FOUNDRY
 AN EAGLE MANUFACTURING COMPANY

I G: '&' \$'F]b[/ '56#A '7cj Yfg

© 58 7 6GG=7 5HC B. CCUI VQ'O 528		
A 5HPF 5@	I tc{'Ecu'Kqp	CUVO/C6: 'Encu'57D
#9A.	655B'	8F5K B:
		85HP
		33 B84238
		8F5K B 6M
		WNUICD
F9J	2 85HP	F9J 6M
		E T CH9.

:cfU Wca d'YH' d'fcXi WhcZYf]b['d'YUg' j]gh' gUh k k k "i gZci bXfm'Wca

7i gtrca Yf.8fuk]bl