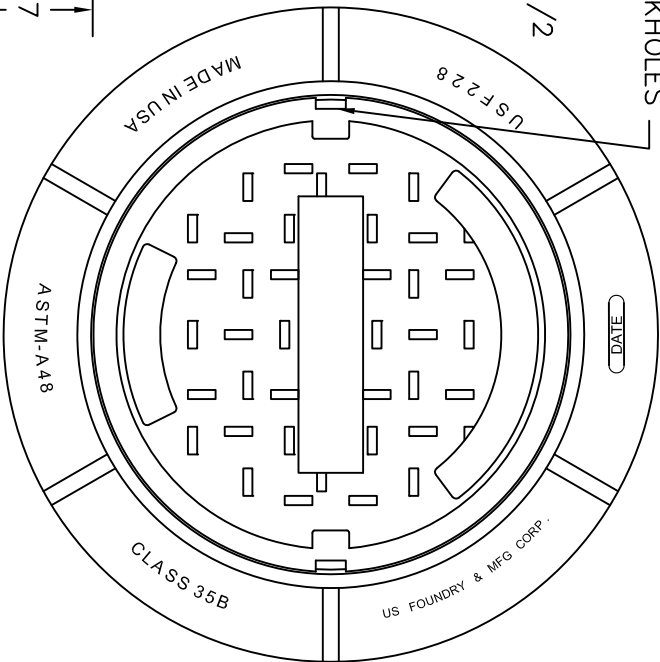
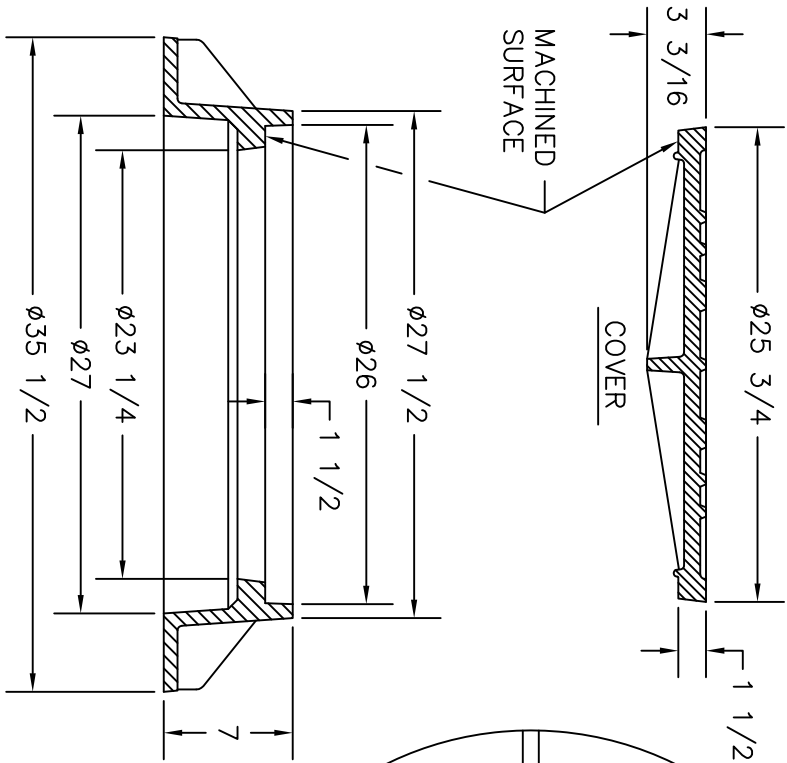



(2) NON PENETRATING PICKHOLES



RING


**US FOUNDRY & MFG. CORP.**  
 8351 NW 93rd Street, Medley, FL 33166-2025  
 ph: 1-800-432-9709; fax: 305-887-9429  
 www.usfoundry.com  
 © 2010 US Foundry & Mfg. Corp. All Rights Reserved

**USF 228 RING & CT COVER**

LOAD CLASSIFICATION: Heavy Duty

MATERIAL: ASTM-A48 GRAY IRON CLASS35B  
 Ring No: 8020455 Wght: 230 SCALE: 1/8"=1"  
 Cover No: 145 DATE:

UNLESS OTHERWISE NOTED WEIGHT IS IN POUNDS AND APPROXIMATED

REV: DATE: REV BY: QUOTE#  
 PWT: DBB/NR