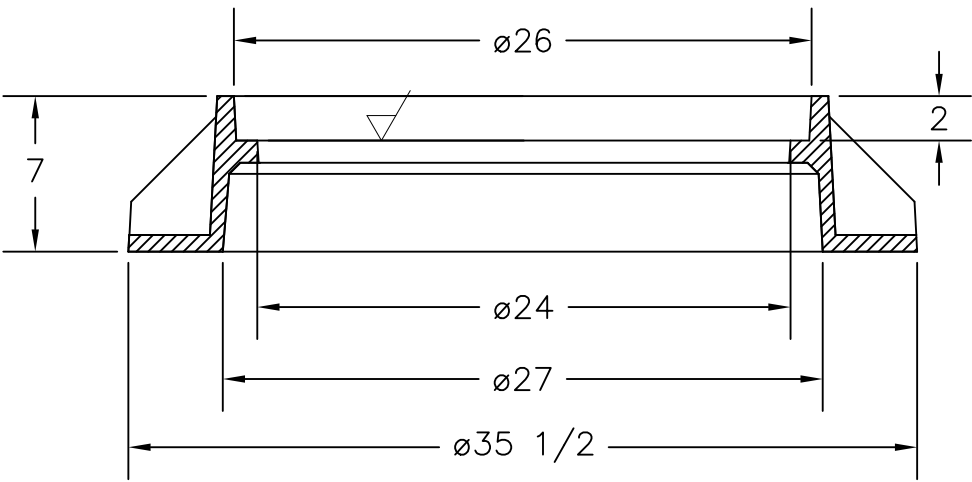


(2) NON-PENETRATING PICKHOLES



8351 NW 93rd Street  
 Medley, FL, 33166-2025  
 ph: 1-800-432-9709  
 fax: 305-887-9429  
 www.usfoundry.com  
 © 2013 All Rights Reserved

**US FOUNDRY**  
 AN EAGLE MANUFACTURING COMPANY

USF 227 Ring & BR Cover

LOAD CLASSIFICATION: Heavy Duty		SCALE:
MATERIAL: ASTM-A48 GRAY IRON CLASS 35B		DATE: 12/17/2013
Ring No: 8020026	Cover No:	OWN. BY: AB
REV: 0	DATE:	REV BY:
QUOTE#		