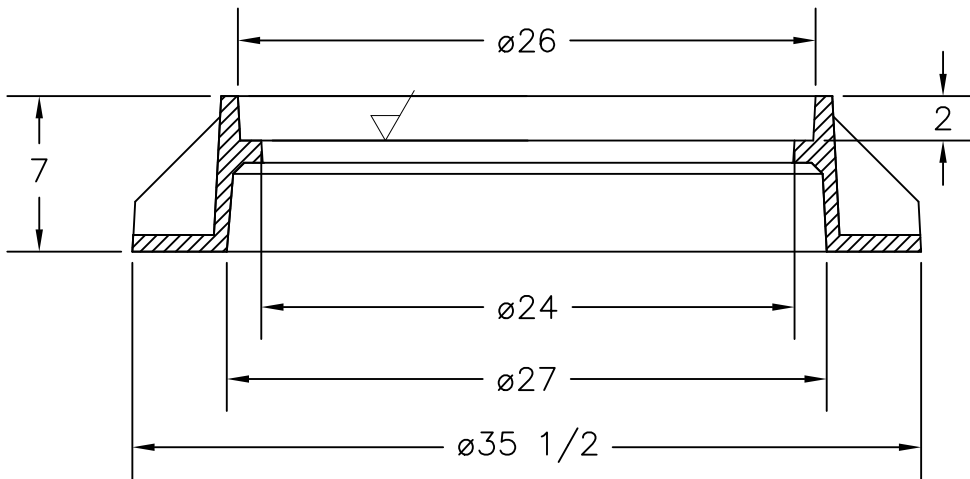


(2) NON-PENETRATING PICKHOLES



8351 NW 93rd Street
 Medley, FL, 33166-2025
 ph: 1-800-432-9709
 fax: 305-887-9429
 www.usfoundry.com
 © 2013 All Rights Reserved

US FOUNDRY
 AN EAGLE MANUFACTURING COMPANY

USF 227 Ring & AS Cover

LOAD CLASSIFICATION: Heavy Duty		SCALE:
MATERIAL: ASTM-A48 GRAY IRON CLASS 35B		DATE: 12/17/2013
Ring No: 8020026	OWN. BY: AB	
Cover No:	REV. BY:	
REV: 0	DATE:	QUOTE#