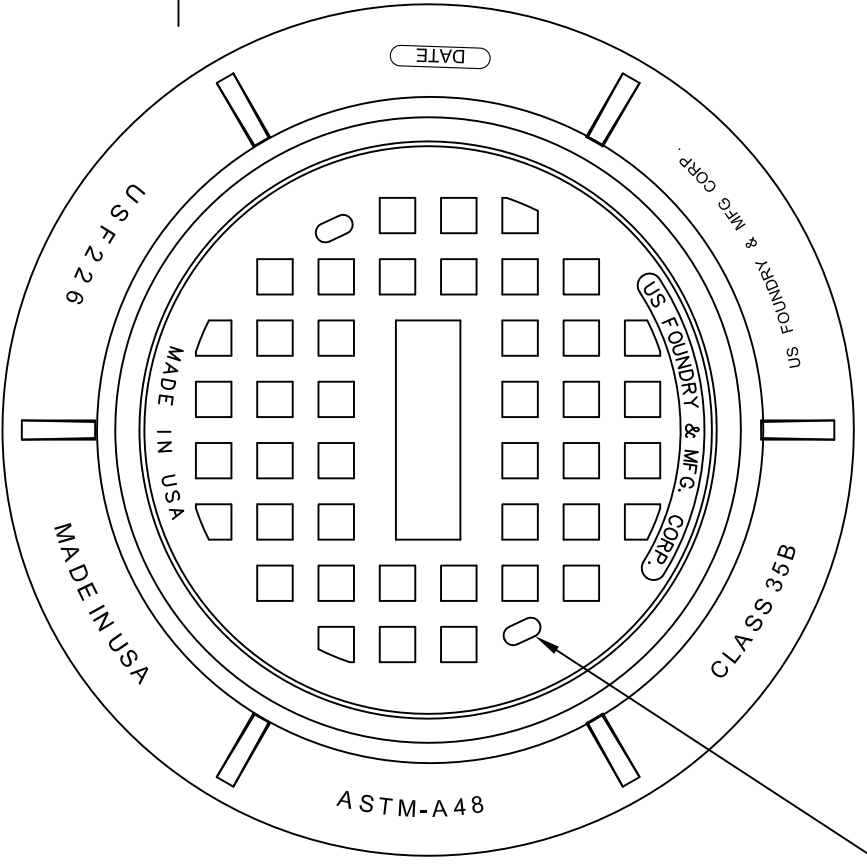
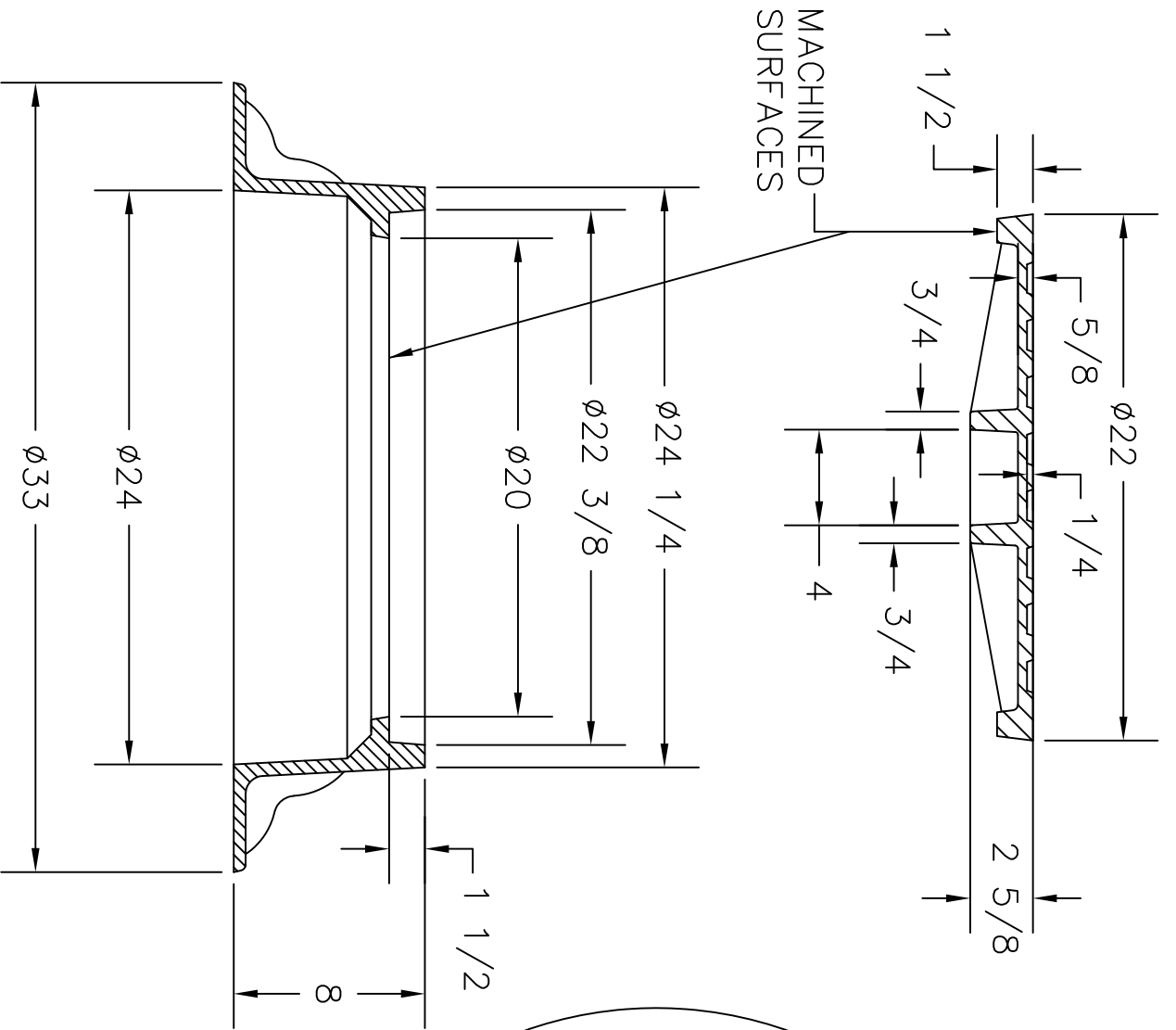



(2) - SLOTS FOR LIFTING
COVER 3/4 X 1 1/2



 **US FOUNDRY & MFG. CORP.**
 8351 NW 93rd Street, Medley, FL 33166-2025
 ph: 1-800-432-9709; fax: 305-887-9429
 www.usfoundry.com
 © 2010 US Foundry & Mfg. Corp. All Rights Reserved

USF 226 RING & LN COVER

LOAD CLASSIFICATION: Heavy Duty	
MATERIAL: ASTM-A48 GRAY IRON CLASS35B	SCALE: 1/8"=1"
Ring No: 8020050	WGHT: 185
Cover No: 105	DATE:
UNLESS OTHERWISE NOTED WEIGHT IS IN POUNDS AND APPROXIMATED	OWN: JM/ULS
REV: DATE: REV BY: QUOTE#	