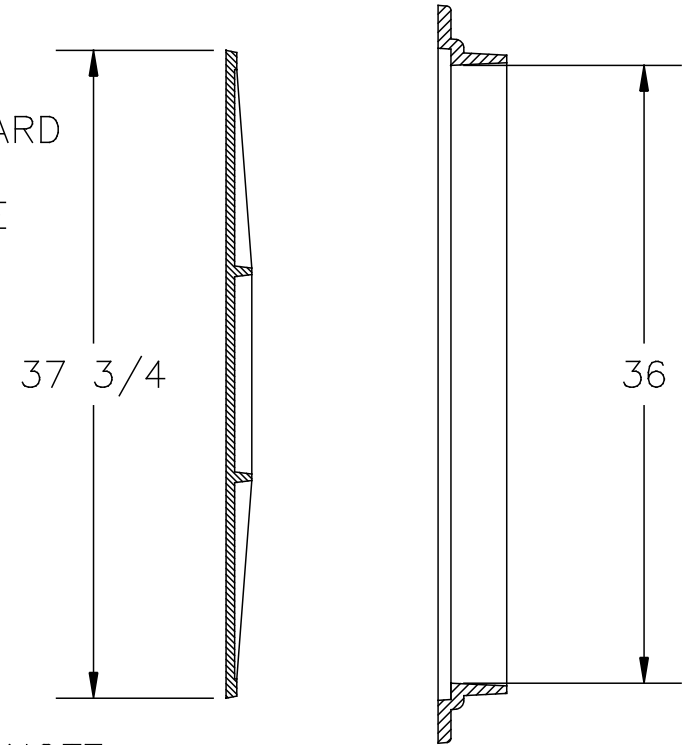
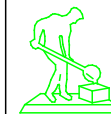
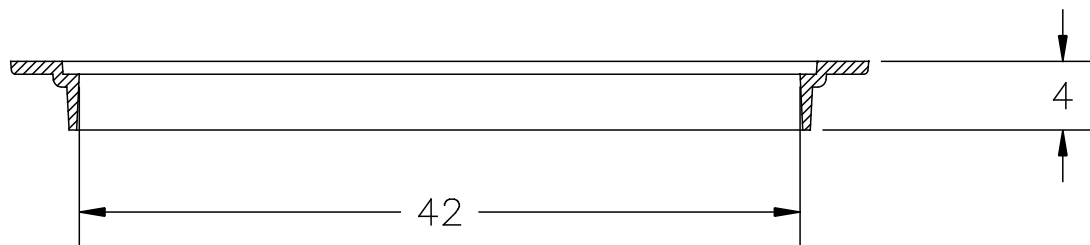
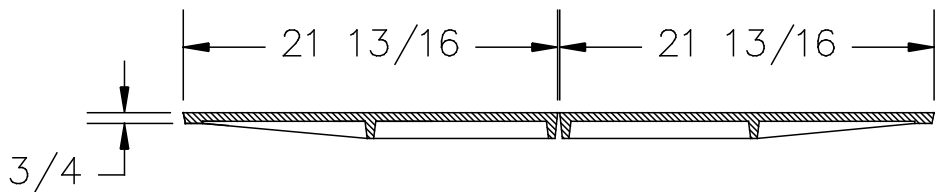


STANDARD  
DROP  
HANDLE



NOTE:

- 1- MATERIAL; ASTM-A48 CLASS 35B GRAY IRON.
- 2- FRAME WT: 205 LBS. APP.
- 3- COVER WT: 120 LBS. APP. (EACH)
- 4- LOADING: LIGHT DUTY



**U.S. FOUNDRY & MFG. CORP.**  
MEDLEY, FLORIDA

USF 2140 FRAME & HU COVER

DWN. BY: DBB	SCALE: 1"=1'-0"	DATE: 9/6/00
CHK. BY:	DWG. NO: A0475	REV: