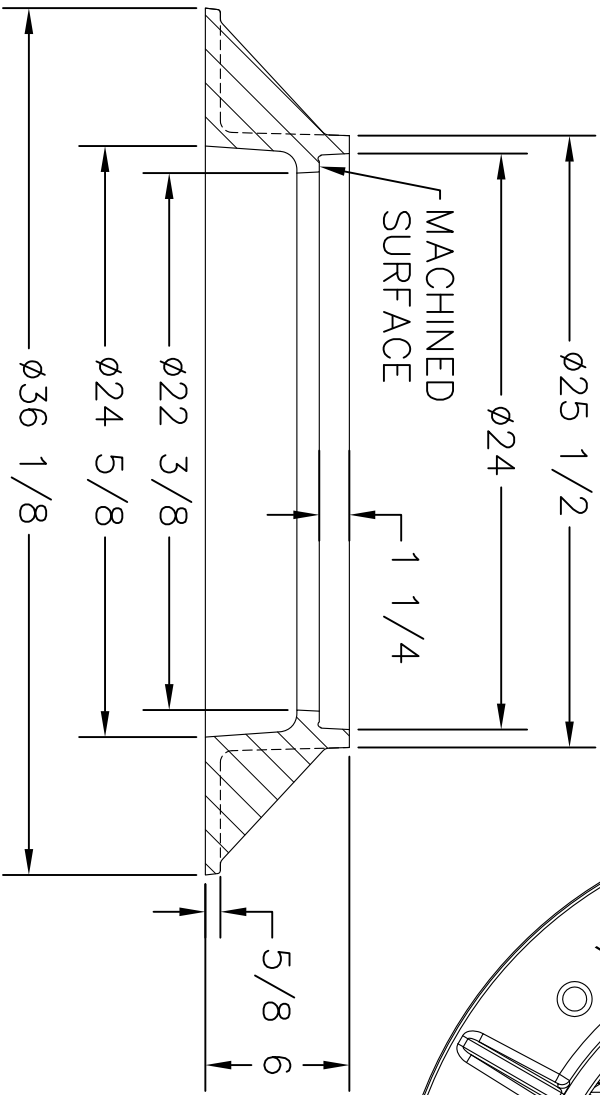


(4) - NON PENETRATING PICK HOLES

MACHINED SURFACE

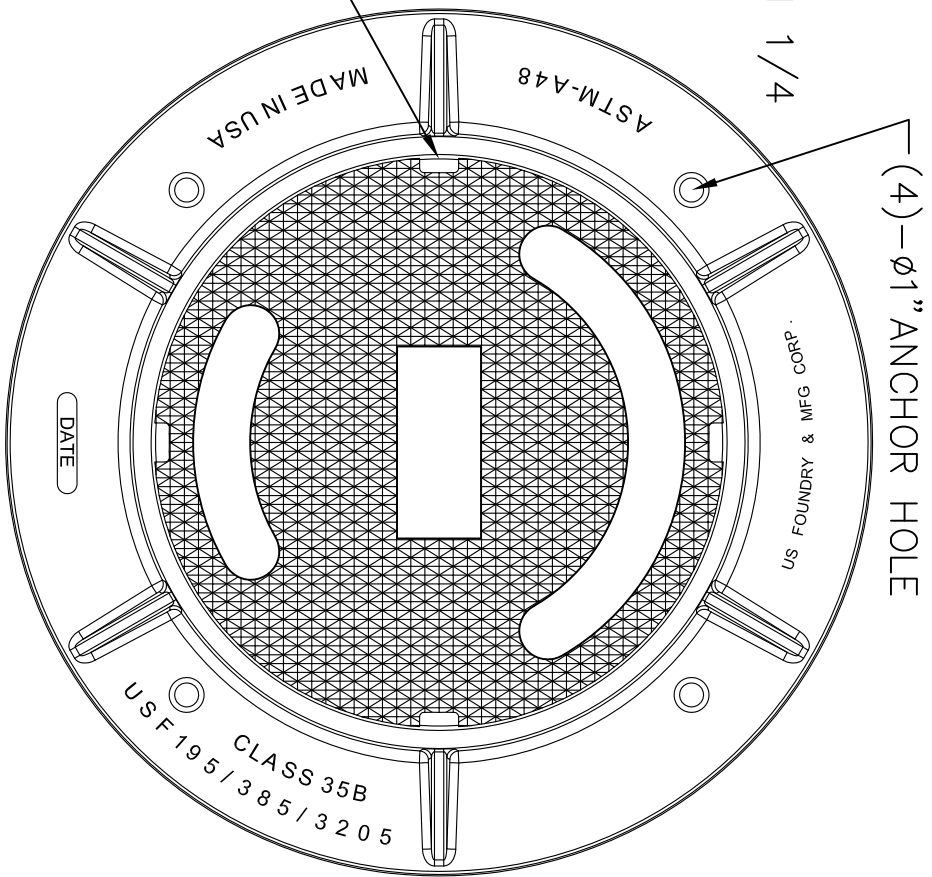


1 1/4

5/8

6

Ø25 1/2
Ø24
Ø22 3/8
Ø24 5/8
Ø36 1/8

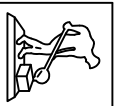


(4) - Ø1" ANCHOR HOLE

ASTM-A48

US FOUNDRY & MFG CORP.

CLASS 35B
USF 195/385/3205



US FOUNDRY & MFG. CORP.
8351 NW 93rd Street, Medley, FL 33166-2025
ph: 1-800-432-9709; fax: 305-887-9429
www.usfoundry.com
© 2010 US Foundry & Mfg. Corp. All Rights Reserved

USF 195 RING & X COVER

LOAD CLASSIFICATION: Heavy Duty

MATERIAL: ASTM-A48 GRAY IRON CLASS 35B

Ring No: 8020023 WGT: 195 SCALE: 1/8"=1"

Cover No: 200 DATE:

DRN. BY: ULS

UNLESS OTHERWISE NOTED WEIGHT IS IN POUNDS AND APPROXIMATED
REV: DATE: REV BY: QUOTE#