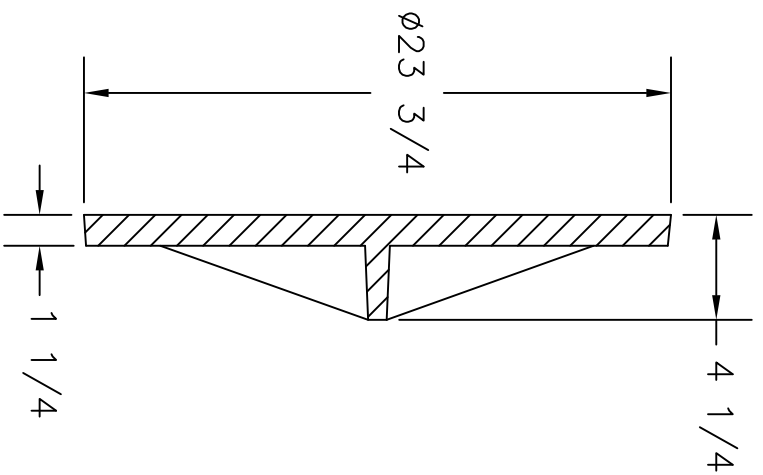
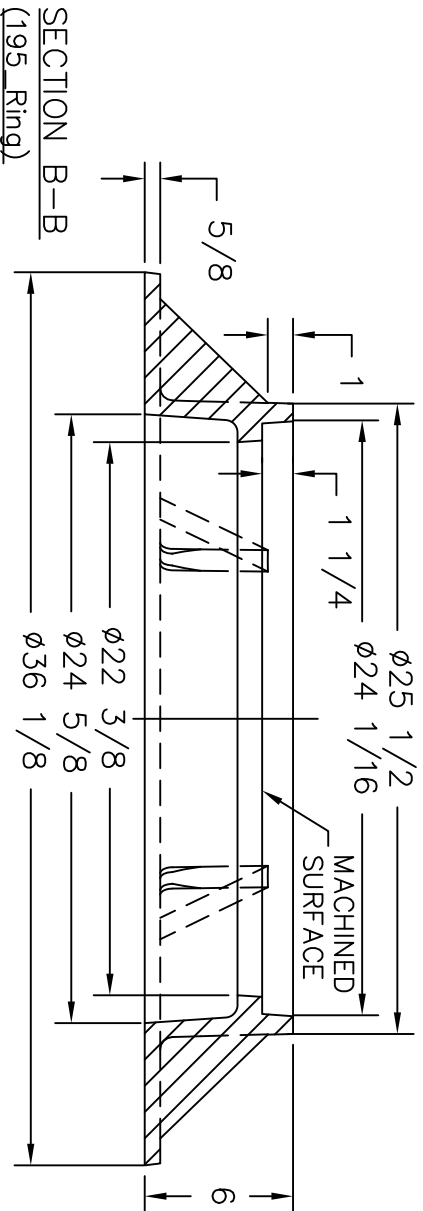


2-NON PENETRATING
PICKHOLES



SECTION A-A
(E_Cover)



US FOUNDRY & MFG. CORP.
 8351 NW 93rd Street, Medley, FL 33166-2025
 ph: 1-800-432-9709; fax: 305-887-9429
 www.usfoundry.com
 © 2010 US Foundry & Mfg. Corp. All Rights Reserved

USF 195 RING & F COVER

LOAD CLASSIFICATION: Heavy Duty	
MATERIAL: ASTM-A48 GRAY IRON CLASS35B	
Ring No: 8020023	WGHT: 195
Cover No: 145	SCALE: 1/8"=1"
	DATE:
	DWT. BY: ULS
UNLESS OTHERWISE NOTED WEIGHTS IN POUNDS AND APPROXIMATED	
REV:	DATE:
REV BY:	QUOTE#