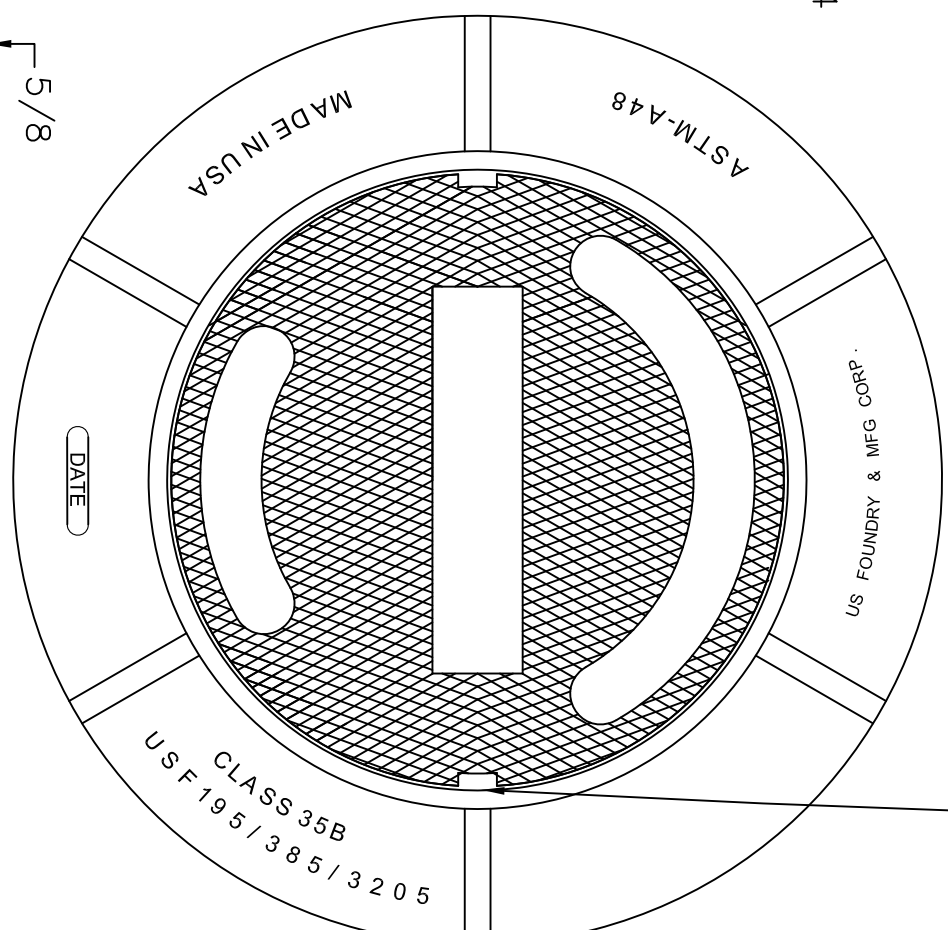
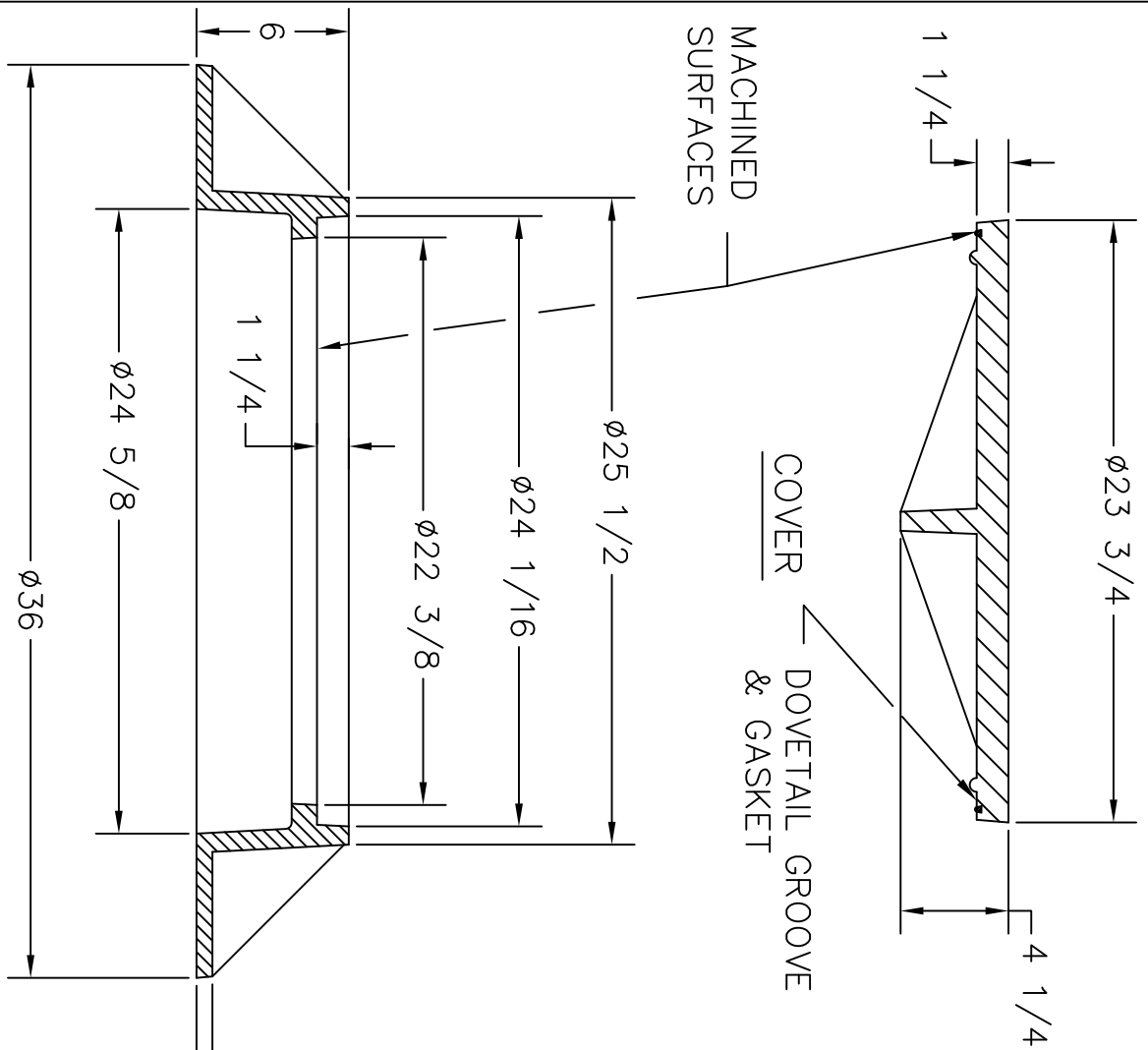



(2) - NON PENETRATING PICKHOLES



RING

 <p>US FOUNDRY & MFG. CORP. 8351 NW 93rd Street, Medley, FL 33166-2 ph: 1-800-432-9709; fax: 305-887-9425 www.usfoundry.com</p>	
<p>© 2010 US Foundry & Mfg. Corp. All Rights Reserved</p>	
<p>USF 195 RING & CE COVE</p>	
LOAD CLASSIFICATION:	Heavy Duty
MATERIAL:	ASTM-A48 GRAY IRON CLASS35
Ring No:	8020023
Cover No:	150
SCALE:	1/8"
DATE:	
DWN. BY:	ULS
UNLESS OTHERWISE NOTED WEIGHT IS IN POUNDS AND APPROX	
REV:	DATE:
REV BY:	QUOTE#