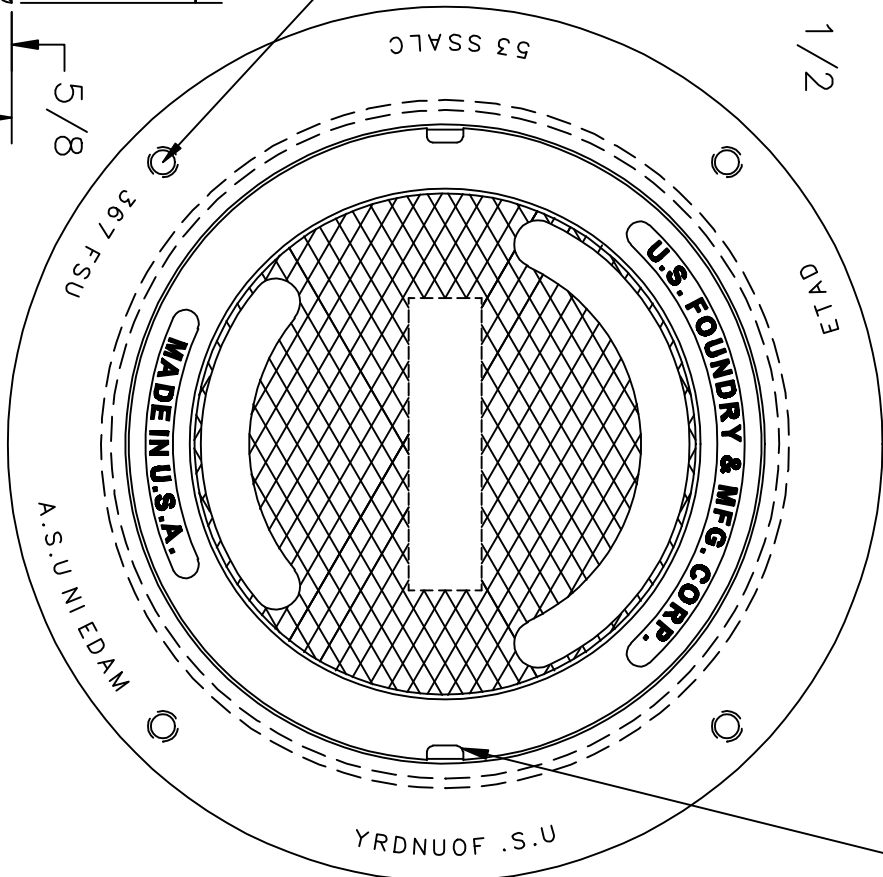
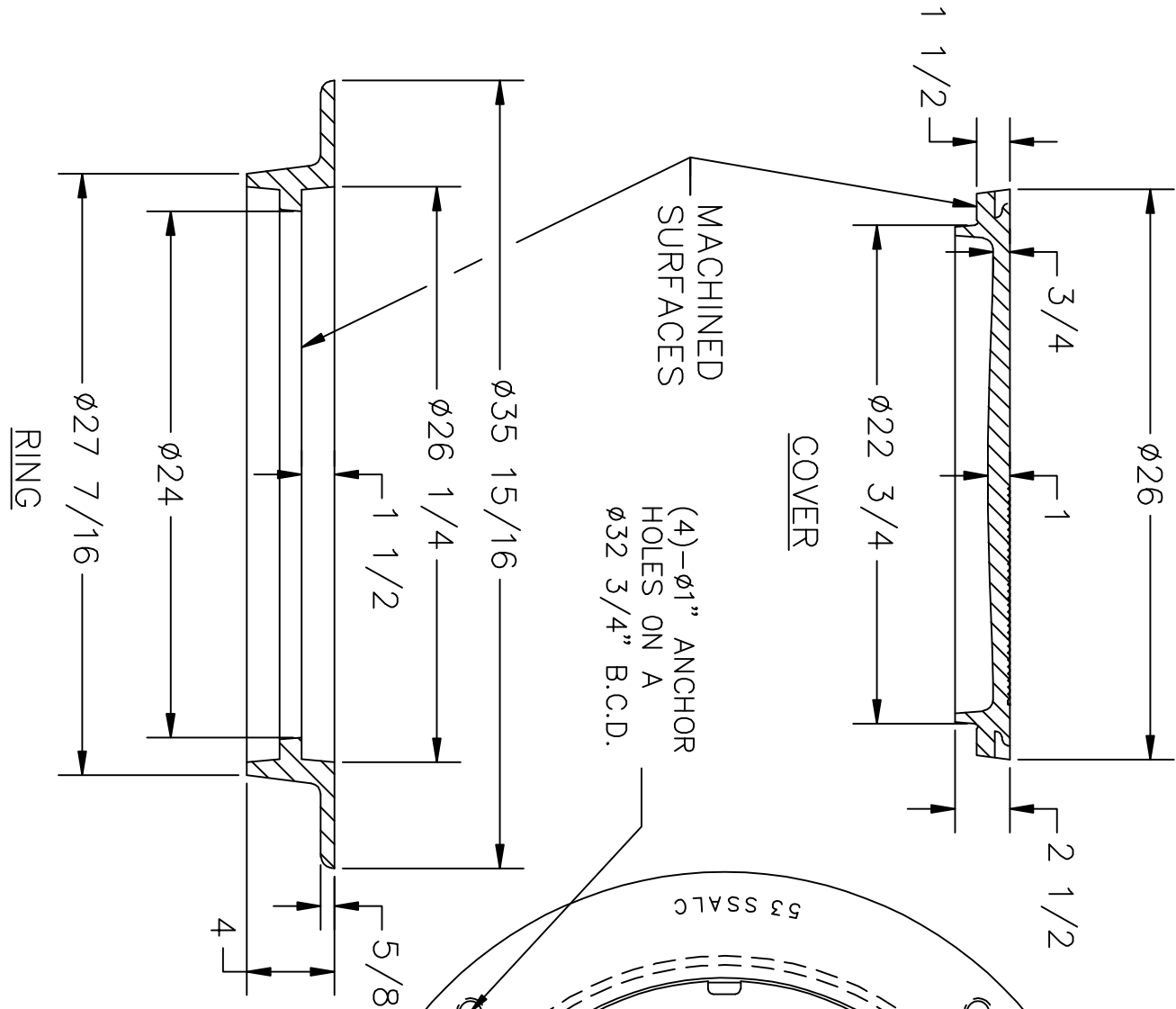


(2) NON-PENETRATING PICKHOLES TYPE 2.



US FOUNDRY & MFG. CORP.
 8351 NW 93rd Street, Medley, FL 33166-2025
 Ph: 1-800-432-9709; Fax: 305-887-9429
 www.usfoundry.com
 © 2010 US Foundry & Mfg. Corp. All Rights Reserved

USF 1763 Ring & NC Cover

LOAD CLASSIFICATION:	Heavy Duty
MATERIAL:	AASHTO M306 GRAY IRON CLASS 35B
Ring No:	8020764
Wght:	165
SCALE:	1/8"=1"
Cover No:	145
DATE:	11-05-08
DNW. BY:	UJS
UNLESS OTHERWISE NOTED WEIGHT IS IN POUNDS AND APPROXIMATED	
REV:	DATE:
REV BY:	QUOTE# 1630-1631