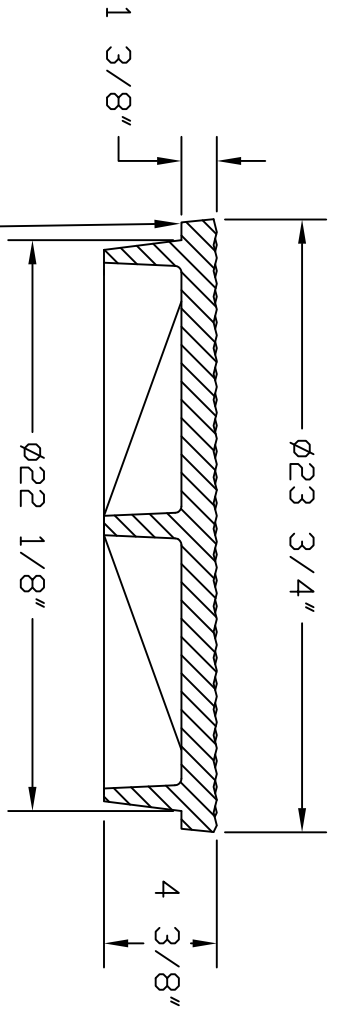
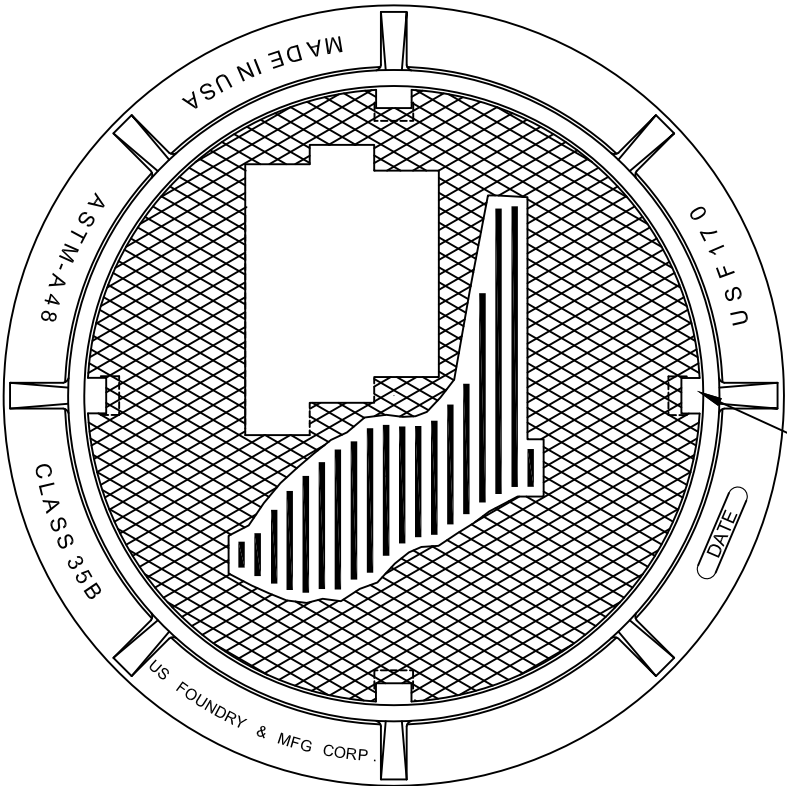
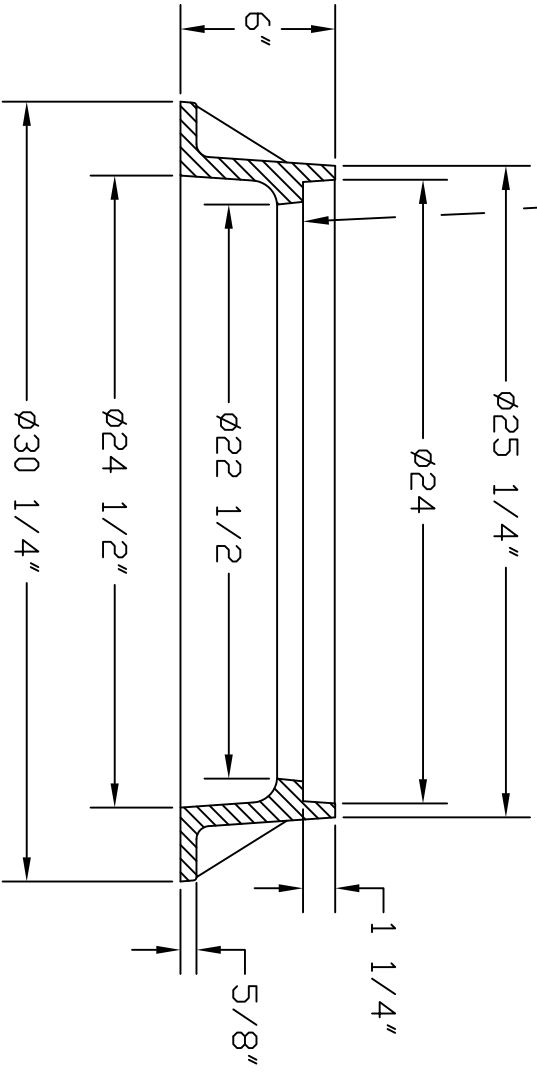


(4) PENETRATING PICKHOLES @ 90° APART



MACHINED SURFACES



US FOUNDRY & MFG. CORP.
 8351 NW 93rd Street, Medley, FL 33166-2025
 ph: 1-800-432-9709; fax: 305-887-9429
 www.usfoundry.com
 © 2010 US Foundry & Mfg. Corp. All Rights Reserved

USF 170 RING & XB COVER

LOAD CLASSIFICATION: Heavy Duty	
MATERIAL: ASTM-A48 GRAY IRON CLASS35B	
Ring No: 8020008	WGHT: 150
Cover No: 190	SCALE: 1/8"=1"
DATE:	DATE:
DNW. BY: HJF	DATE:
UNLESS OTHERWISE NOTED WEIGHT IS IN POUNDS AND APPROXIMATED	
REV: DATE: REV BY: QUOTE#	